



佳静环保

www.glenvironment.com

水处理领域的小伙伴
Partner for water treatment



Shanghai GL Environmental Technology Co., Ltd

📍 #4, No.188 of Guanghai road, Minhang area, Shanghai, China

☎ 86-21- 64890289

📠 86-21-51686350

✉ sales @ glenvironment.com

🌐 www.glenvironment.com

上海佳静环保科技有限公司

Shanghai GL Environmental Technology Co., Ltd



公司简介 COMPANY INTRODUCTION

- 2007 established offers OEM services of instrument
- 2009 begins offer dosing pump and diaphragm pump
- 2010 Engineering Department to set up
- 2012 Apply for a number of patents
- 2016 we are on the road to the world

From 2007 to 2017, our company major in sewage and recycled water, for this part of related equipment sales, assembly production.

For example, metering pumps, water analyzer, pneumatic pump, mixer and dosing system. We strive to build our ecological system, to achieve the gradual accumulation.

The beginning of the establishment, our company is the plan management, the general manager is responsible for all sectors of operation.

Since 2017, our company established the middle management team, there are 10 people in the middle team personnel, who are responsible for the domestic sales department, export department, customer service department, technical department, development department and warehouse storage. Since the establishment of this team, we can achieve the high understanding of market dynamics and internal operation objective, each responsible person for their respective functions of supervision.

We have a number of patents, the company has a number of products, independent research and development ability.

Now, we are on the road to the world, we want to offer you the best service and best products which made in China.





我们专利
Our certifications

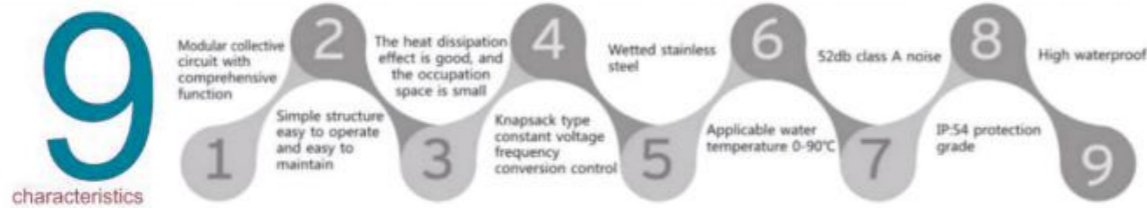


Main products

	Name	Brand
01	Water Pump	KUOSI
02	Water Analyzer	APURE
03	FLOW Meter	APUER
04	Level and Pressure	APURE
05	Dosing Pump	AOBL&SEKO&Milton-Roy
06	Diaphragm Pump	WILDEN&ARO&AOBL
07	Chemical Pump	HAOSH
08	MIXER	AMIXER
09	Dosing System	AINFO
10	Filter system	AINFO
11	Others	KUOSI

KUOSI Pump

intelligent VF pump system



Constant voltage variable frequency explanation

- The pressure variation of the system can be seen in this device. The pressure sensor is calculated according to the sense signal and the set pressure value, and the analog continuous signal (DC:0-10) is output to the special frequency converter.
- The frequency changer changes frequency (0-50Hz) according to (0-10V) change. The pump group changes its speed to the constant pressure with the change of frequency Function.

Function

- Pressure adjustment:**
If you need different pressure, open the casing and dial the pointer to increase or decrease.
- Parking function without water:**
You have to go in and lock the range without water. If you continue to maintain the status quo, the motor will slow down by 10% in 10 seconds. If the water is not used again, after 10 seconds, the controller will instruct the motor to stop running.
- Normal water use:**
When normal water is used, the pressure is less than 80% of the set pressure. The controller will notify the motor to run and fill the pressure to the set constant value.
- Lack of water pressure, protection function:**
When less than the normal water such as pipe leakage, drip, pressure must be reduced to 80%, the controller will send a signal, the command motor start, the pressure is compensated to the set pressure value
- Lack of water pressure, protection function:**
The motor runs at full speed, but the pressure can not reach 80% of the set pressure. It may be the source of no water or water pump failure, the controller will force the motor to stop running, avoid the motor burned, and so on to confirm the cause of the occurrence and troubleshooting. Turn off the power supply and send it back again after 10 seconds to continue the operation.
- Constant voltage setting:**
After the constant pressure is required, the pressure can not be higher than the set constant pressure, no matter in use or without water
- Electronic protection function of frequency converter:**
High and low voltage, over current, load limit, overheating grounding protection, frequency converter can record the cause of the fault ten times, in order to facilitate maintenance.

Standby function is complete

- The controller is multi pump and multi frequency control system, pump group has backup, inverter also has backup. Only KSPW attracts a group. When KSPW failure can also be taken manually, with the slow start, select the highest fixed frequency operation, maintenance of water supply, emergency treatment, waiting for repair.

Full set modular electronic control panel

- Modular structure, wiring is simple, full-featured, and rainproof/dustproof self heat dissipation function.

Applicable scope

- Kitchen, toilet, pure water transportation, food processing, villas and other places.

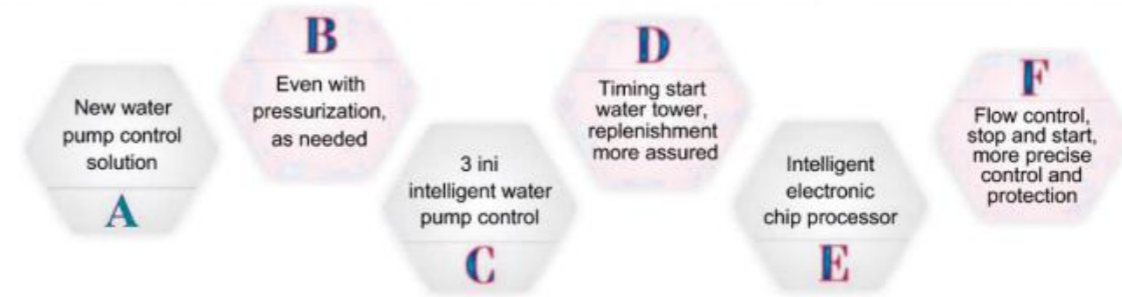
Technical parameter

Pump Model	Voltage (V/Hz)	Power (kw)	Flow (Q)	Head (m)	Calibre (mm)
KSPW2-2	220/50	0.37	2	14	25
KSPW2-3	220/50	0.55	2	21	25
KSPW2-4	220/50	0.55	2	28	25
KSPW2-5	220/50	0.55	2	35	25
KSPW2-6	220/50	0.75	2	42	25
KSPW4-2	220/50	0.55	4	15	Input 32 output 25
KSPW4-3	220/50	0.55	4	22	Input 32 output 25
KSPW4-4	220/50	0.75	4	30	Input 32 output 25
KSPW4-5	220/50	1.1	4	38	Input 32 output 25
KSPW4-6	220/50	1.1	4	45	Input 32 output 25
KSPW8-1	220/50	0.75	8	8.5	Input 40 output 32
KSPW8-2	220/50	0.75	8	17	Input 40 output 32

Pump Model	Voltage (V/Hz)	Power (kw)	Flow (Q)	Head (m)	Calibre (mm)
KSPW8-3	220/50	1.1	8	25.5	Input 40 output 32
KSPW8-4	220/50	1.5	8	34	Input 40 output 32
KSPW8-5	220/50	2.2	8	43	Input 40 output 32
KSPW12-1	220/50	0.75	12	9.5	40
KSPW12-2	220/50	1.2	12	19.5	40
KSPW12-3	220/50	1.8	12	30	40
KSPW12-4	220/50	2.4	12	40	40
KSPW16-1	220/50	1.1	16	10	50
KSPW16-2	220/50	2.2	16	21	50
KSPW20-1	220/50	1.1	20	9.5	50
KSPW20-2	220/50	2.2	20	21	50

Remark: KSPW and KSPW-B are with the same flow and head

full automatic intelligent VF water pipe pump system



Description of automatic pipe make-up water pump

Full intelligent control

- Omnibearing Electronic Reading: It includes flow, pressure, current and so on. Intelligent control is more precise.
- LED Large screen display: Multi information man-machine communication platform, more clear and intuitive.
- Very high flow reading accuracy: minimum 1.5L/min (0.09T/h).
- Maximum flow path design can reach 7t/h.
- The sand, sand diamagnetic structure, ensure that the controller will not fail to continue to work.
- Automatic setting of starting value: intelligent self starting pressure value, to avoid the use of high-rise floor can not start embarrassment.
- Automatic detection of incoming water. The water supply can be automatically started when the water supply is resumed during the period of no water supply.



Three modes to choose from

- Pressure mode:** pressure mode is a conventional mode, namely open and use, responsive is the most popular automatic control mode in the city.
- Pressure mode:** pressure mode is a conventional mode, namely open and use, responsive is the most popular automatic control mode in the city.
- Flow mode:** flow mode as a special booster; very small amount of water without starting the pump, blind spots leakage (such as toilet) will not trigger the pump start, avoid late start nuisance.

Working principle

- Stress mode:**
The starting mode of the pressure mode is: after the pipeline is opened, the pressure is released; when the actual pressure is lower than the starting pressure value set by the controller; the water pump is started.
The stop mode of the pressure mode is: the pipeline is closed, the flow sensor can not sense the water flow through, and the pump is closed.
- Timing mode:**
The starting mode of timing mode is: starting from the time interval of the last pump stop, starting the water pump.
The dosing mode of timing mode is as follows: the pipeline is closed, the flow sensor can not sense the water flow through, and the water pump is closed.
- Flow mode:**
The starting mode of flow mode is that the flow of water reaches the set value of control after the pipeline is opened, and the water pump is started.
The dosing mode of flow mode is as follows: the pipeline is closed, the flow sensor can not sense the flow of water passing through, and the pump is closed.

Application Scope:

- District floor water supply, pipeline replenishment, pressurization, food processing, water supply, toilet water supply, villa water supply, purified water delivery, kitchen water supply, public place water etc.

Technical parameter

Pump Model	Voltage (V/Hz)	Power (kw)	Flow (Q)	Head (m)	Calibre (mm)
KSPW-C-2-2	220/50	0.37	0.5-3.5	9-19	25
KSPW-C-2-3	220/50	0.55	0.5-3.5	14-28	25
KSPW-C-2-4	220/50	0.55	0.5-3.5	17-36	25
KSPW-C-2-5	220/50	0.55	0.5-3.5	22-46	25
KSPW-C-2-6	220/50	0.75	0.5-3.5	25-54	25

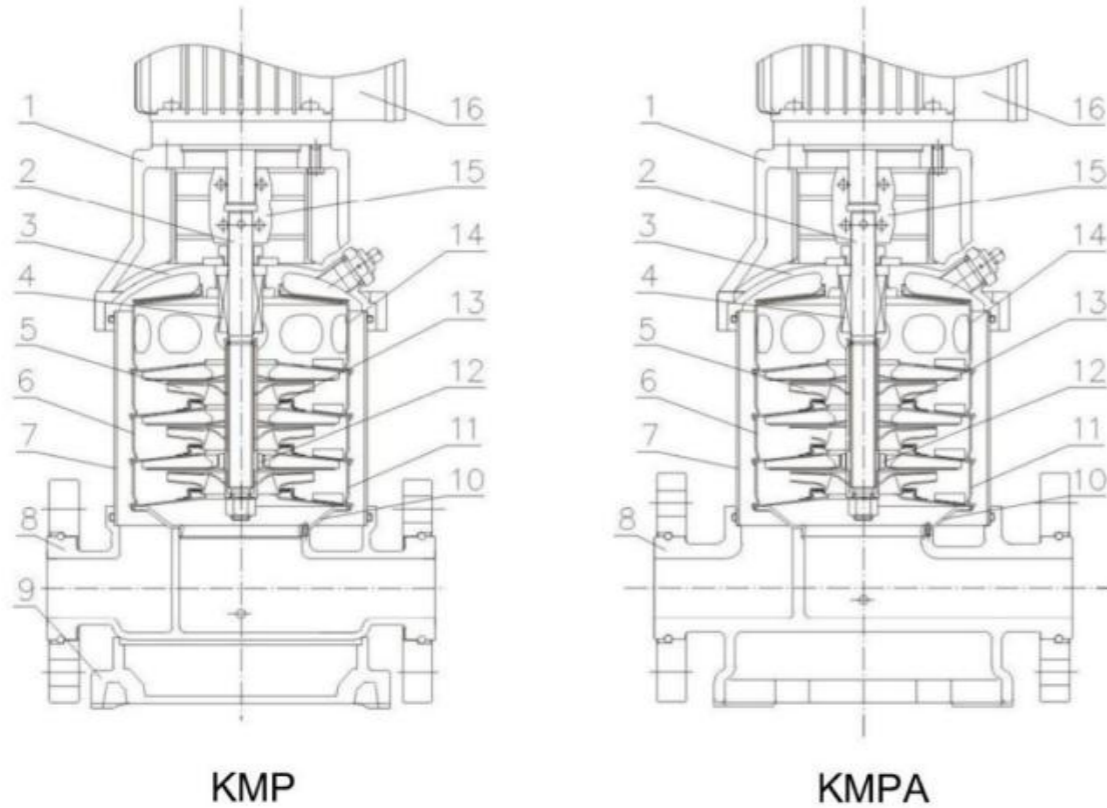
Pump Model	Voltage (V/Hz)	Power (kw)	Flow (Q)	Head (m)	Calibre (mm)
KSPW-C-4-2	220/50	0.55	1-7	7-19	Input 32 output 25
KSPW-C-4-3	220/50	0.55	1-7	10-28	Input 32 output 25
KSPW-C-4-4	220/50	0.75	1-7	14-38	Input 32 output 25
KSPW-C-4-5	220/50	1.1	1-7	20-46	Input 32 output 25
KSPW-C-4-6	220/50	1.1	1-7	26-56	Input 32 output 25



WATER PUMP



■ 结构 Structure

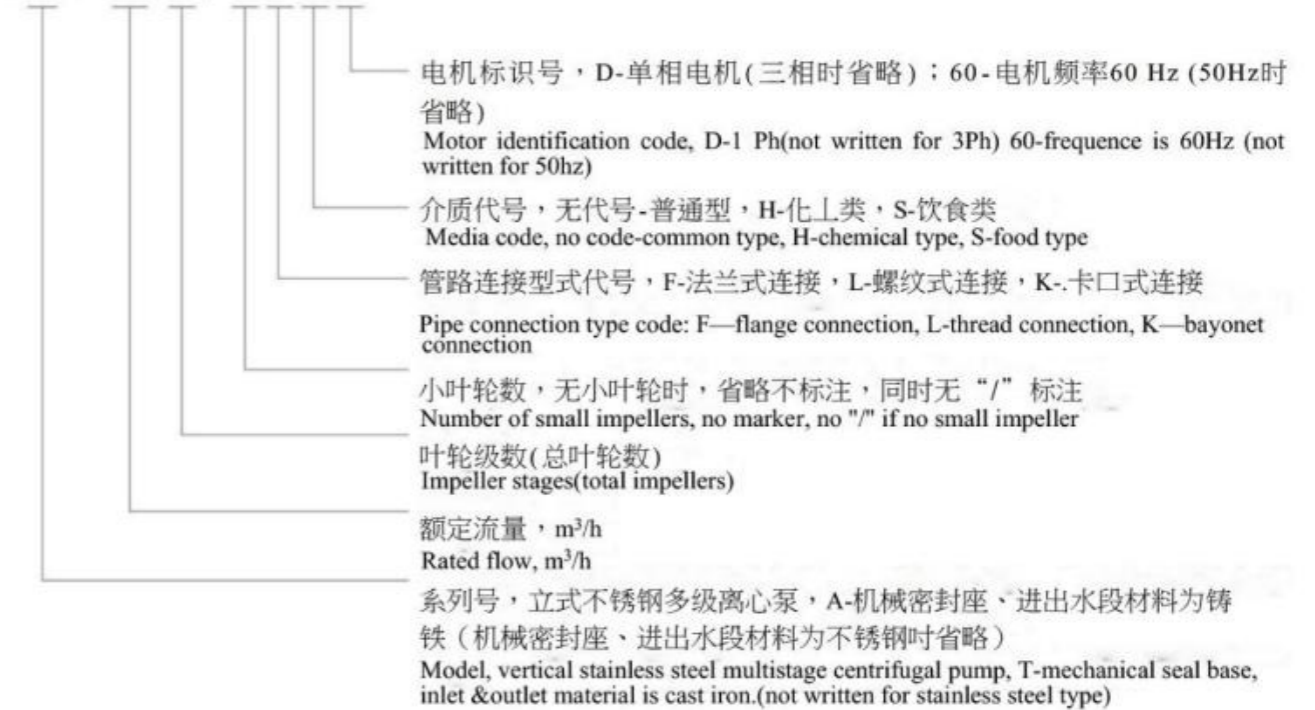


■ 材料 Material

序号No.	名称Name	材料 Maerial science	
1	电机座 Electric motor base	HT200	
2	泵轴 Pump shaft	0Cr18Ni9	
3	机械密封座 Mechanical seal base	KMP	ZG0Cr18Ni9
		KMPA64及以下规格 and below	HT250
4	机械密封 Mechanical seal	KMPA 90及以上规格 and above	QT500-7
		组件 Subassembly	
5	叶轮 Impeller	KMP, KMPA90及以下规格 and below	0Cr18Ni9
		KMP, KMPA 120及以上规格 and above	ZG0Cr18Ni9
6	中段 Diffuser	KMP, KMPA90及以下规格 and below	0Cr18Ni9
		KMP, KMPA 120及以上规格 and above	ZG0Cr18Ni9
7	外套筒Cylinder	0Cr18Ni9	
8	进出水段Inlet & outlet	KMP	ZG0Cr18Ni9
		KMPA8及以下规格 and below	HT250
		KMPA 12及以上规格 and above	QT500-7
9	底座 Base plate	KMP	
10	进水中段Inducer	0Cr18Ni9	
11	带轴承中段 Diffuser with bearing	0Cr18Ni9	
12	滑动轴承 Sliding bearing	YG6	
13	密封环Seal ring	F-4	
14	出水中段Top diffuser	0Cr18Ni9	
15	联轴器Coupling	ZG25	
16	电机Motor	组件 Subassembly	

■ 型号意义 Model explanation

KMPA 45-4 / 2 F S D



■ 输送介质 Transportation medium

- 输送介质温度 / transportation medium temperature : -20°C ~ +120°C-----普通型 / common type
-20°C - +180°C-----热水型 / hot water type
- 输送稀薄、清洁、不含固体颗粒或纤维的非易燃易爆的介质
Transport light, clean, non-inflammable or explosive medium without any solid particles or fibers
- KMP_可输送具有轻度腐蚀性介质；KMPA—可输送非腐蚀性介质
KMP-can transport mildly corrosive medium KMPA transport non-corrosive medium

■ 应用范围 Scope of application

- 供水：水厂输送、高层建筑增压系统
Water supply: water transportation in water plants, boosting system in high building etc.
- 工业液体输送：空调系统、锅炉给水、机床配套等
Industrial liquid transportation: air-condition system, boiler water supply and machine associate purpose, etc.
- 水处理：反渗透系统、游泳池的水处理系统等
Water treatment: reverse osmosis system, water treatment system Of swimming pools.
- 灌溉：农田灌溉、喷灌、滴灌
I rri gat ion: farmland irrigation, spray irrigation and dripping irrigation

Apure industrial online PH/ORP controller



Model: A10PR

Feature:

- IP65 protection level; Installation: panel mounting
- English and Chinese operation interface, simple operation
- 100-240VAC and 24VDC double power input
- Two 4-20mA outputs correspond to the PH/ORP setting and temperature
- Two sets of relays, high and low switching at will
- RS-485 (Modbus RTU agreement) Functions (optional)

Measuring range	Resolution ratio	Accuracy	Instrument size
PH: 0-14pH	PH: 0.01PH	PH: 0.01PH±1Digit	96mm*96mm*132mm(H*W*D)
ORP: -1999 - +1999 mV	ORP:1mV	ORP:0.1%±1Digit	Cut-size
Temp: 0-99 °C	Temp: 0.1 °C	Temp:0.1°C ±1Digit	92.5mm*92.5mm(H*W)

Apure industrial online PH/ORP controller



Model: RP-3000
(Dual channel PH/ORP controller)

Feature:

- English and Chinese operation interface, simple operation
- Connect two probes at the same time and measure two PH or PH and ORP
- Two 4-20mA outputs correspond to two channel numbers
- Two sets of relays correspond to two channel values
- RS-485 (Modbus RTU agreement) Functions (optional)
- Installation: panel or wall mounting
- 100-240V wide power; IP65 protection level

Measuring range	Resolution ratio	Accuracy	Instrument size
PH: 0-14pH	PH: 0.01PH	PH: 0.01PH±1Digit	144mm*144mm*120mm(H*W*D)
ORP: -1999 - +1999 mV	ORP:1mV	ORP:0.1%±1Digit	Cut-size
Temp: 0-99 °C	Temp: 0.1 °C	Temp:0.1°C ±1Digit	138mm*138mm(H*W)

Feature:



Model: RP-600

- English and Chinese operation interface, simple operation
- A set of 4-20mA signals
- A set of high/low relays
- IP54 protection level
- Provide 220VAC and 24VDC power supply

Measuring range	Resolution ratio	Accuracy	Measurement drift
PH: 0-14pH	PH: 0.01PH	PH: 0.01PH±1Digit	pH: Maximum measuring range of 0.75%
ORP: -1900 - +1900 mV	ORP:1mV	ORP:0.1%±1Digit	mV: Maximum measuring range of 0.75%
Temp: 0-99 °C	Temp: 0.1 °C	Temp:0.1°C ±1Digit	Pt1000tempcompensatio

Feature:



Model: A20PR

- English and Chinese operation interface, simple operation
- Two 4-20mA outputs independently correspond to PH/ORP or temperature
- Two sets of relays, high and low point arbitrary switching, corresponding to PH or temperature
- RS-485 (Modbus RTU agreement) Functions (optional)
- Installation: panel or wall mounting
- 100-240VAC wide power; IP65 protection level
- PT1000, NTC10K or Manual temp compensation.

Measuring range	Resolution ratio	Accuracy	Instrument size
PH: 0-14pH	PH: 0.01PH	PH: 0.01PH±1Digit	144mm*144mm*115mm(H*W*D)
ORP: -1999 - +1999 mV	ORP:1mV	ORP:0.1%±1Digit	Cut-size
Temp: -30~150 °C	Temp: 0.1 °C	Temp:0.1°C ±1Digit	138mm*138mm(H*W)

Apure Industrial on-line conductivity controller

- 100-240VAC and 24V dc double power supply
- Two 4-20mA outputs correspond to conductivity setting and temperature (or one set of 4-20mA & one set of RS485)
- Two sets of relays, high and low switching at will
- Password management access settings, enhance security protection IP65 protection level



Model: A10CD



Electrode: KS-1



Electrode: KS-10

Meter model	Temp compensation	Accuracy	Size	Cut-out
A10CD	AUTO	±1%(FS) +Digit	96*96*132mm (H*W*D)	92.5*92.5mm (H*W)
Electrode model	Temp resistance	Withstand voltage	Thread size	Measuring range
KS-0.01	5-50°C	0 ~ 0.5Mpa	1/2 " pipe	0.055us/cm-200us/cm
KS-0.1	5-50°C	0 ~ 0.5Mpa	1/2 " pipe	0.1us/cm-2000us/cm
KS-1	5-50°C	0 ~ 0.5Mpa	1/2 " pipe	1us/cm-20ms/cm
KS-10	5-120°C	0 ~ 0.5Mpa	1/2 " pipe	10us/cm-200ms/cm

Apure Industrial on-line conductivity controller

- 100-240VAC and 24VDC double power supply
- Two 4-20mA outputs correspond to conductivity setting and temperature (or one set of 4-20mA & one set of RS485)
- Two sets of relays, high and low switching at will
- Password management access settings, enhance security protection IP65 protection level
- Temperature compensation: PT1000, NTC10K or Manual temp compensation.



Model: A20CD



Electrode: KS-1



Electrode: KS-10

Meter model	Temp compensation	Accuracy	Size	Cut-out
A20CD	AUTO	±1%(FS) +Digit	144*144*115mm (H*W*D)	92.5*92.5mm (H*W)
Electrode model	Temp resistance	Withstand voltage	Thread size	Measuring range
KS-0.01	5-50°C	0 ~ 0.5Mpa	1/2 " pipe	0.055us/cm-200us/cm
KS-0.1	5-50°C	0 ~ 0.5Mpa	1/2 " pipe	0.1us/cm-2000us/cm
KS-1	5-50°C	0 ~ 0.5Mpa	1/2 " pipe	1us/cm-20ms/cm
KS-10	5-120°C	0 ~ 0.5Mpa	1/2 " pipe	10us/cm-200ms/cm

Apure industrial online dissolved oxygen controller



Feature:

- Mainly used for sewage, river water, breeding, etc.
- 2 sets of 4-20mA signal output.
- 2 sets of relays control.
- 100-240VAC or 24VDC
- PT1000, NTC10K or Manual temp compensation.

Model: A10DO

Electrode: TS-200

Meter model	Temp compensation	Accuracy	Meter size	Cut-out
A10DO	AUTO	±1.5%(FS)	96*96*132mm (H*W*D)	92*92mm (H*W)
Electrode model	Temp resistance	Response time	Thread size	Measuring range
TS-200	0-60℃	30 sec	3/4 " NPT thread	0-20.0ppm(mg/L)

Apure high temperature fermentation dissolved oxygen controller



Feature:

- Mainly used to measure dissolved oxygen in high temperature fermentation
- Isolated two wire system 0/4~20mA
- 1~5V output (with protection)
- High stability, precision and anti-interference
- Two-wire 24VDC power supply
- High precision low drift
- IP65 protection level

Electrode: TS-290

Meter: RD-108

Meter: RD-108B (With display)

For high temperature fermentation situation

Meter model	Measuring range	Accuracy	Meter size	Installation
RD-108	0-400%	±0.2%(FS)	125*65*100mm (H*W*D)	Local mounted or wall mounted
Electrode model	Temp resistance	Diameter	Pressure range	Measuring principle
TS-290	0-130℃	25mm	0-6bar	Electric current measurement/polarography

Apure industrial online turbidity controller



Feature:

- The built-in air bubble elimination system improves the measurement precision and stability
- Measurement unit: mg/L and NTU
- Site calibration can be done by contrast method
- 1 Set of 4-20 mA; 2 sets of alarm relays
- RS-485 communication interface (optional)
- IP65 protection level; 220VAC power supply

TS-620

TD-400

TD-5000

Electrode measuring range	Resolution ratio	Accuracy	Meter size
TD-400: 1-100.00ntu	0.01NTU	±1%FS	242mm*184mm*135mm(H*W*D)
TD-5000: 20-5000ntu	0.1NTU	±1%FS	Installation
Required medium temp: 0-50 ℃	RH: ≤ 85%		Wall mounted

Apure industrial online suspended solids concentration controller



Feature:

- The built-in air bubble elimination system improves the measurement precision and stability
- Site calibration can be done by contrast method
- 1 Set of 4-20 mA; 2 sets of alarm relays
- RS-485 communication interface (optional)
- IP65 protection level; 220VAC power supply

S-730

Probe: TD-30

Measuring range	Resolution ratio	Accuracy	Meter size
TD-30: 0-30g/l	1mg/l	±%1FS	242mm*184mm*135mm(H*W*D)
Required medium temp: 0-50 ℃	RH: ≤ 85%	Wall mounted	Installation
Required medium temp: 0-50 ℃	RH: ≤ 85%		Wall-mounted

APURE intelligent electromagnetic flow meter



Integrated type

Split type

Technical parameter

- ※DN(mm) Pipeline PTFE lining: 25,32,40,50,65,80,100,125,150,200,250,300,350,400,450,500,600
- ※Pipeline rubber lining:- 40,50,65,80,100,125,150,200,300,350,400,500,600,800,1000,1200
- ※Flow direction Positive, negative, net flow range ratio: 150/1
- Repeatability error: ±0.1%
- ※ Accuracy: 0.3, 0.5, 1.0(class)
- ※ Temperature Ordinary rubber lining: -20~60℃ High temp rubber lining: -20~90℃ PTFE lining: -30~100℃ High temp PTFE lining: -30~180℃
- ※Rated working pressure Pipeline: DN10~DN65(≤2.5Mpa) DN80~DN150(≤1.6Mpa); DN200~DN1200(≤1.0Mpa)
- ※Conductivity range Conductivity of measured liquid ≥5uS/cm

- ※Output current and load resistance 4-20mA fully isolated load resistance <750 Ohm pulse When frequency 0-1KHZ optoelectronic isolation OCT external power ≤35V is connecting, max current of collector is 25mA.
- ※Sensor material Molybdenum-containing stainless steel, Ti, Ta, H, Pt or other special materials.
- ※ Protection level Submerged type: IP68, other IP65.
- ※Power supply: 85~265V, 45~63HZ
- ※Straight pipe length Pipeline upstream ≥5DN, downstream ≥2DN
- ※ Connection Flanged joint is used between flow meter and distribution pipe, the size should be meet the rule of B9119-88.
- ※Explosion-proof: md11BT4
- ※Environmental temperature: -25~60℃
- ※Total power consume: ≤20W

Electromagnetic flow meter type chosen table

Electromagnetic Flow meter	Note	Qmin (m ³ /h)	Qmax (m ³ /h)	Dn(mm)	Order no
AYT-25S	Integrated type	0.5	17.7	25	4112501
AFT-25L	Split type				4112502
AYT-32S	Integrated type	0.9	29	32	4113201
AFT-32L	Split type				4113202
AYT-40S	Integrated type	1.4	45.2	40	4114001
AFT-40L	Split type				4114002
AYT-50S	Integrated type	2.1	70.7	50	4115001
AFT-50L	Split type				4115002
AYT-65S	Integrated type	4	119	65	4116501
AFT-65L	Split type				4116502
AYT-80S	Integrated type	5	181	80	4118001
AFT-80L	Split type				4118002
AYT-100S	Integrated type	8	283	100	41110001
AFT-100L	Split type				41110002
AYT-125S	Integrated type	13	442	125	41112501
AFT-125L	Split type				41112502
AYT-150S	Integrated type	19	636	150	41115001
AFT-150L	Split type				41115002
AYT-200S	Integrated type	30	1130	200	41120001
AFT-200L	Split type				41120002
AYT-250S	Integrated type	50	1767	250	41125001
AFT-250L	Split type				41125002
AYT-300S	Integrated type	80	2545	300	41130001
AFT-300L	Split type				41130002
AYT-350S	Integrated type	100	3464	350	41135001
AFT350L	Split type				41135002
AYT-400S	Integrated type	140	4524	400	41140001
AFT-400L	Split type				41140002

△Note: RS485 communication is optional. LCD PTFE lining(DN6~DN65), rubber lining(greater than DN65), 316L sensor, integrated type, no grounded ring(pipe is metal), can be with RS232, flange mounting, normal pressure is 1.6Mpa.

Apure split type open channel flow meter



Measuring range	Blind zone	Range accuracy	Pressure
Parshall trough universal type	0.25-0.5m	±3mm/0.3% (standard conditions)	3 atmospheres below
Meter type	Range resolution ratio	Environment temperature	Meter display
split type	1mm	-20℃ ~+60℃	Built-in LCD display level or space distance

Model: MQ6000

- ※A set of 4-20mA analog output.
- ※RS485 communication(Modbus RTU)(optional).
- ※IP65 protection level.
- ※220VAC or 24VDC can be choose.
- ※Installation: Split type, meter wall-mounted.
- ※Sensor material: ABS plastic(PE/PTFE anti-corrosion material can be choose).
- ※Sensor comes with 10m cable(max: 50m)

External clamp ultrasonic flow meter



Main technical parameters

Measurement principle:
ultrasonic time difference principle

Measurement range :0~±10m/s

Accuracy: flow rate is better than ±1%

Display :2 x 10 Chinese backlit characters or 2 x 20 character LCD display, support three languages: Chinese, English and Italian

Flow direction: Positive and negative two-way metering, and measure positive, negative, net cumulative flow / heat

Data interface; RS485 serial turbulence, can be upgraded by PC computer, support MODBUS and other protocols

Data recording: positive/negative/net accumulations at 512 days, 128 months and 10 days before automatic memory More than 30 times, power off time and flow rate before automatic memory and can be automatically or manually added

Signal output: 1 channel 4-20mA current output 1 relay output

1 channel OCT pulse output (programmable between 6~100ms pulse width, default 200ms)

Signal input: 3 channels of 4-20mA analog input, accuracy 0.1%, can collect pressure, liquid level, warm sleep and other signals

2-way three-wire PT100 platinum resistor for thermal measurement

Power supply :AC85~264V or DC8~36V

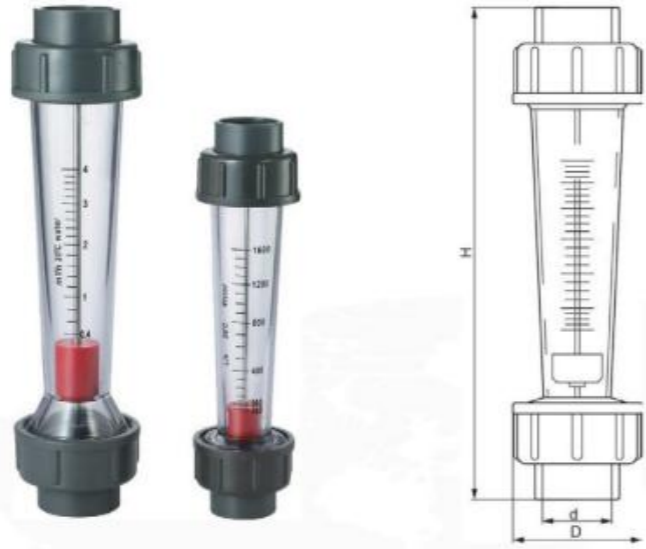
Sensor	Standard small sensor L1	dn15-dn100mm	0~90c
	Standard medium sensor L2	dn50--dn700mm	0~90c
	Standard large sensor L3	dn300-dn600mm	0~90c
	High temp small sensor GL1	dn15-dn100mm	0~160c
	High temp medium sensor GL2	dn50-dn700mm	0~160℃
	High temp large sensor GL3	dn300--dn600mm	0~160℃
	Standard insertion sensor c1	Above dn80mm	0~160c
	Extended insertion sensor c2	Above dn80mm	0~160c
	Parallel insertion sensor c3	Special customization	
	Pipe section sensor	dn15mm~dn1000mm	0~90c/0

Media turbidity: ≤ 2000pm and small bubble content

Applicable pipe: Carbon steel, stainless steel, copper, PVC, aluminum, fiberglass and other uniform and dense pipes, allowing lining

Straight pipe section: The sensor installation point is best to meet: upstream 10, downstream 5, from the pump outlet 300 (D is the diameter)

LZS Float flow meter



Model	Interface diameter	Measuring range	D	d	H
LZS-15	DN15	5-50L/h	45	20	202
		10-100l/h			
		16-160l/h			
		25-250l/h			
		40-400l/h			
		50-500l/h			
		60-600l/h			
LZS-25	DN25	100-1000l/h	60	32	226
		160-1600l/h			
		250-250l/h			
LZS-32	DN32	0.4-4m ³ /h	74	40	288
		0.6-6m ³ /h			
LZS-50	DN50	0.4-4m ³ /h	98	63	341
		0.6-6m ³ /h			
		1-10m ³ /h			
		1.6-16m ³ /h			
LZS-65	DN65	2.5-16m ³ /h	122	75	430
		5-25m ³ /h			
		8-40m ³ /h			
		12-60m ³ /h			
LZS-100	DN100	14-90m ³ /h	215	110	555
		20-120m ³ /h			
LZS-125	DN125	20-120m ³ /h	250	140	550
		18-150m ³ /h			
		20-180m ³ /h			

UHZ Magnetic flap level gauge

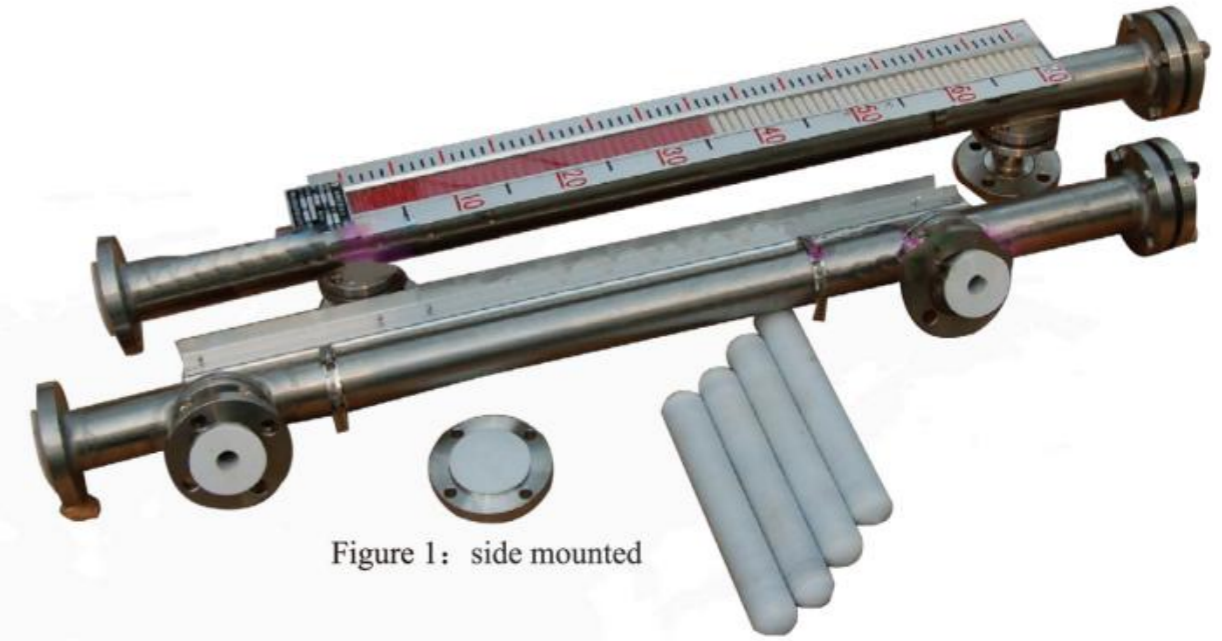


Figure 1: side mounted

Main technical parameters

【Brand】 Apure
【Measuring range】 200-20000mm
【Medium temperature】 ≤ 100°C
 (High temperature can be customized)
【Medium pressure】 ≤ 1.6mpa
【Accuracy】 ±5mm
【Medium density】 ≥ 0.42g/cm³
【Standard flange】 DN20/DN25
【Installation】 Side or top mounted
【Protection level】 IP65
【Measuring materials】 304, 316 stainless steel, PP
【Optional output】 remote transmission, liquid level witch, hart protocol

Product Selection

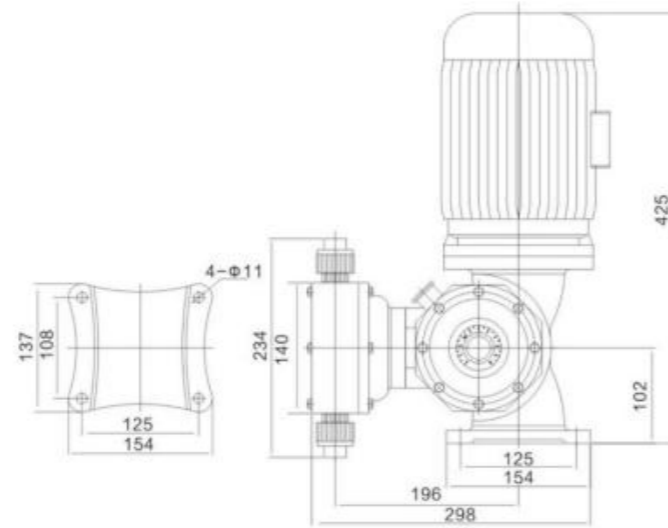
Step 1: measuring range
 Step 2: Material and installation method
 Step 3: shape structure and pressure range
 Step 4: Remote transmission and level switch
 When there is special need, the user is ordering special Instructions. Such as density, connection specifications

JBM Mechanical Diaphragm Dosing Pump

In order to meet user's needs on metering pump products, the user should provide the following parameters as far as possible when choosing and ordering:

- A: Liquid
- B: Flow rate (L/H);
- C: System pressure (Mpa);
- D: Medium temperature (°C);
- E: Transport medium viscosity (CP);
- F: specific gravity;
- G: Solid content;
- H: Automatic (manual) control mode;
- 1: External control signal type;

- Standard : pump head-PVC, motor-380V 50Hz;
- Option: Pump Head 304,316,PTFE, 420V, 220V and 110V motors are available.
- Explosion-proof motor, frequency conversion motor;



• Performance Parameters

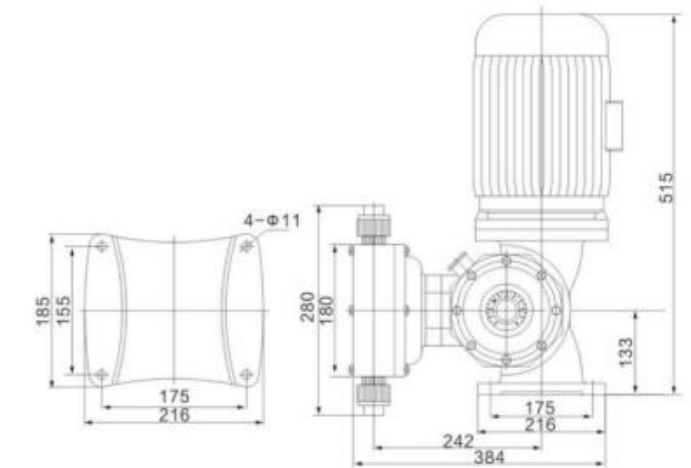
MODEL	Max Flow rate (L/H)	Max Pressure (Mpa)	Stroke Speed (SPM)	Motor Powers (W)	Connections (mm)	Weight (KG)
JBM 25/1.0	25	1.2	48	0.37	d:10 D:14 PE Hose	22
JBM 50/1.0	50	1.2	48	0.37		
JBM 80/0.7	80	0.7	96	0.37		
JBM 120/0.7	120	0.7	96			
JBM 170/0.7	170	0.7	96			
JBM 240/0.7	240	0.7	96	0.55		
JBM 320/0.5	320	0.5	144			
JBM 420/0.5	420	0.5	144			
JBM 500/0.5	500	0.5	144		DN25	

JCM Mechanical Diaphragm Dosing Pump

The main parts of mechanical diaphragm metering pump are made of precision casting and numerical control processing. The structural design of the liquid receiving end ensures that the pump will not leak during operation. The material of the driving parts is sturdy and durable.

Due to the compact design, The equipment is easy to operate. Liquid flow can be easily adjusted by flow adjusting knob, and it is convenient for installation and maintenance.

- Standard: Pump Head PVC Motor 380V 50Hz
- Option: Pump Head 304,316,PTFE Motor 420V,220V,110V EX-Proof Motor, Variable Frequency Motor



• Performance Parameters

MODEL	Max Flow rate (L/H)	Max Pressure (Mpa)	Stroke Speed (SPM)	Motor Powers (W)	Connections (mm)	Weight (KG)
JCM 380/0.6	380	1.0	48	0.75	DN25	40
JCM 500/0.6	500	1.0	96			
JCM 650/0.6	650	0.7	96			
JCM 850/0.5	850	0.5	144	1.1	DN25	40
JCM 1000/0.4	1000	0.4	144			
JCM 1400/0.3	1400	0.3	144	1.5	DN40	50
JCM 1800/0.3	1800	0.3	144			

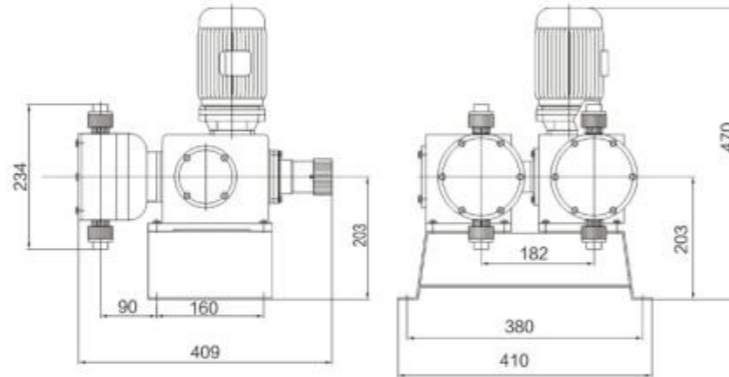
DJ-X2 Mechanical Diaphragm Dosing Pump

• Product features

- Flow Rate: 0-240L/H
- Pressure: 0-0.8MPA
- Moto Power: 370W, 220V/380V, 50/60Hz
- Motor Protection: IP54,IP55

• Material

- Pump Head: SUS304, SUS316,PVC, PTFE
- Diaphragm: PTFE
- Non-returning valve: SUS304, SUS316, PVC, PTFE
- Valve Ball: Zirconia , SUS304, SUS316, ceramic

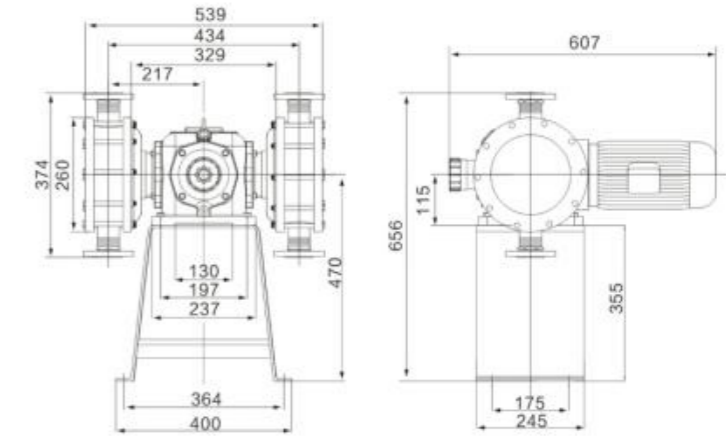


• Performance Parameters

MODEL	Max Flow rate (L/H)	Max Pressure (Mpa)	Stroke Speed (SPM)	Motor Powers (W)	Connections (mm)	Weight (KG)
DJ-X2 50/1.2	50	1.2	48	0.37	d:10 D:14 PE Hose	30
DJ-X2 100/1.0	100	1.0				
DJ-X2 160/0.7	160	0.7				
DJ-X2 240/0.6	240	0.6	96		DN15	
DJ-X2 350/0.4	350	0.4				
DJ-X2 480/0.4	480	0.4				

DJ-D2 Mechanical Diaphragm Dosing Pump

- Standard: Pump Head PVC Motor 380V 50Hz
- Option: Pump Head 304、316、PTFE、
Motor 420V、220V、110V
EX-Proof Motor、Variable Frequency Motor

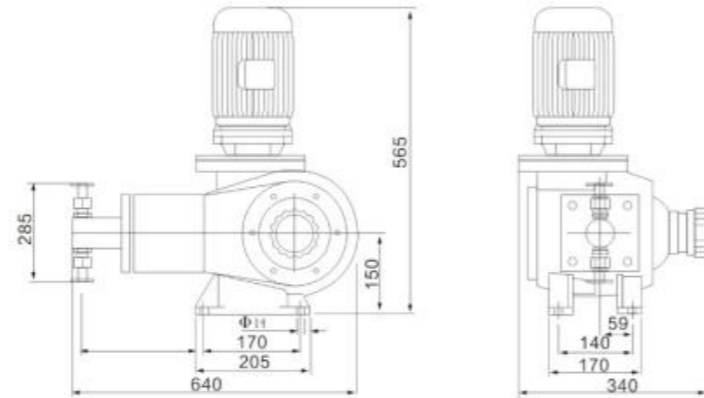


• Performance Parameters

MODEL	Max Flow rate (L/H)	Max Pressure (Mpa)	Stroke Speed (SPM)	Motor Powers (KW)	Connections (mm)	Weight (KG)
DJ-D2 1300/0.5	1300	0.5	127	1.5	DN25	70
DJ-D2 1700/0.5	1700	0.5				
DJ-D2 2000/0.4	2000	0.4	155		DN40	
DJ-D2 2800/0.3	2800	0.3				
DJ-D2 3600/0.3	3600	0.3				
DJ-D2 4800/0.3	4800	0.3				
DJ-D2 5800/0.3	5800	0.3			DN50	

DZ-ZR Plunger Metering Pump

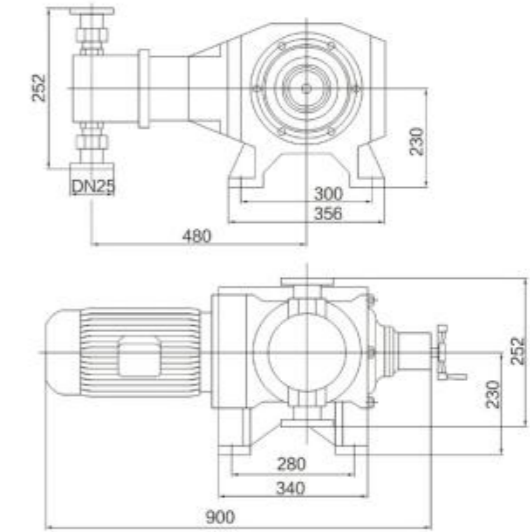
- Standard: Pump Head 304 Motor 380V 50Hz
- Option: Pump Head 316、316L、EX-Proof Motor、Variable Frequency Motor
Motor 420V、220V、110V



• Performance Parameters

MODEL	Max Flow rate (L/H)	Motor Powers(W)		Plunger diameter (mm)	Stroke length (mm)	Stroke Rate (SPM)	Connections (mm)	Weight (KG)
		1.1kw	1.5kw					
DZ-ZR 6.5/50(40)	6.5	40	50	8	30	87/132	6 welding	80
DZ-ZR 16/40(30)	16	30	40	12				
DZ-ZR 32/22(16)	32	16	22	16				
DZ-ZR 50/14(10)	50	10	14	20				
DZ-ZR 80/9.0(6.3)	80	6.3	9.0	25				
DZ-ZR 100/7.5(5.0)	100	5.0	7.5	28				
DZ-ZR 130/5.6(4.0)	130	4.0	5.6	32			15 welding	90
DZ-ZR 160/4.8(3.5)	160	3.5	4.8	35				
DZ-ZR 190/4.0(2.8)	190	2.8	4.0	38				
DZ-ZR 225/3.2(2.4)	225	2.4	3.2	42				
DZ-ZR 265/2.8(2.0)	265	2.0	2.8	45				
DZ-ZR 330/2.3(1.6)	330	1.6	2.3	50				
DZ-ZR 400/1.8(1.4)	400	1.4	1.8	55				
DZ-ZR 480/1.6(1.2)	480	1.2	1.6	60				
DZ-ZR 550/1.3(1.0)	550	1.0	1.3	65				
DZ-ZR 650/1.2(0.8)	650	0.8	1.2	70				
DZ-ZR 750/1.0(0.6)	750	0.6	1.0	75			25 flange	98
DZ-ZR 1000/0.5	1000	0.5	0.8	80				
DZ-ZR 1200/0.7	1200	0.4	0.7	85				
DZ-ZR 1500/0.5	1500	0.3	0.5	95				
					32 flange			

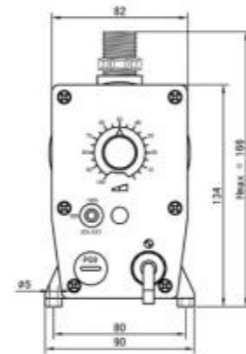
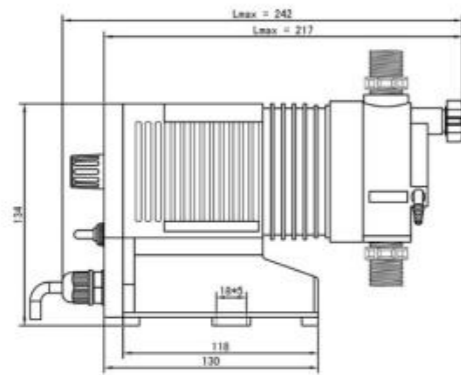
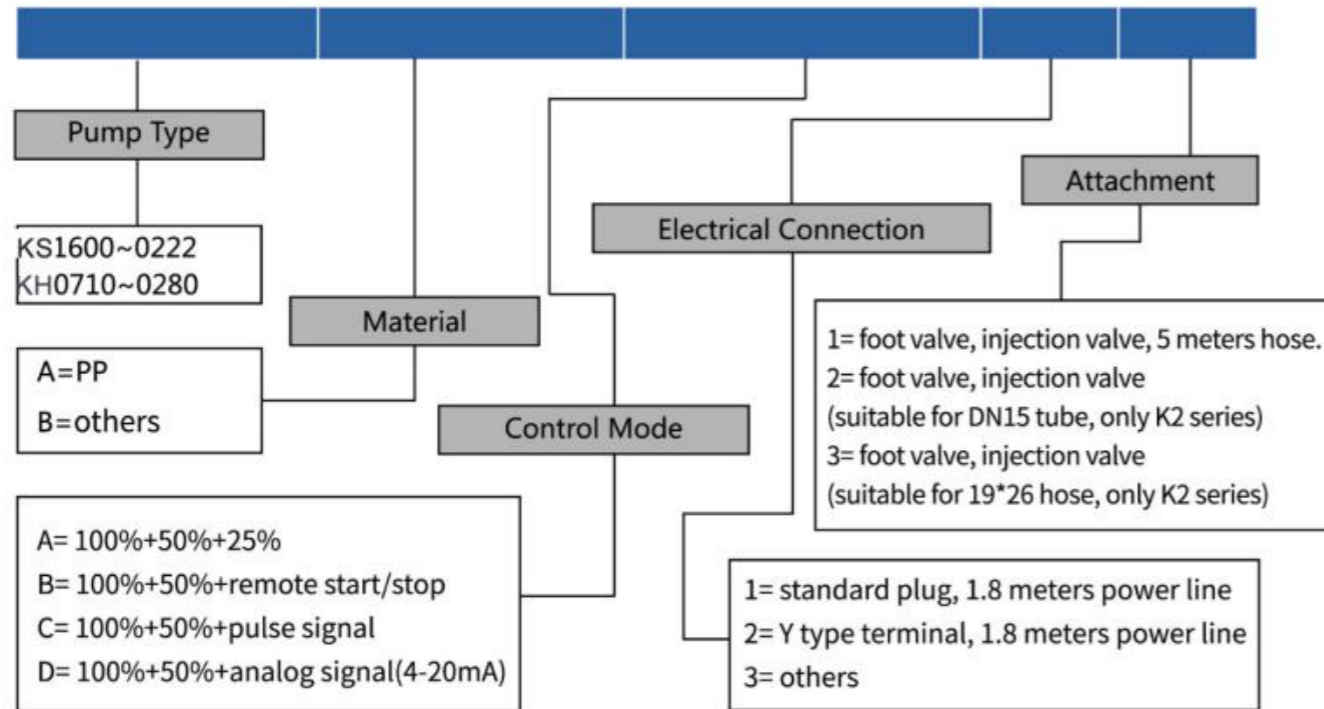
DZ-D Plunger Metering Pump



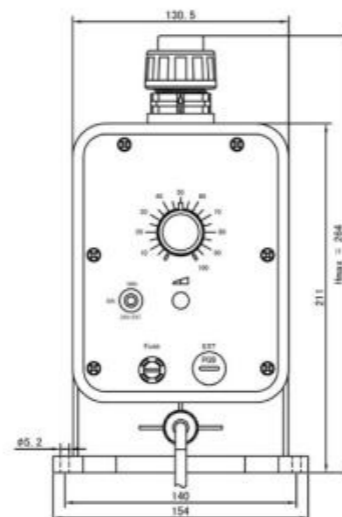
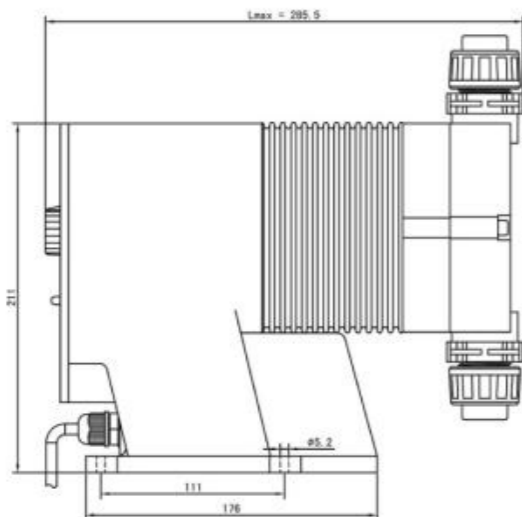
• Performance Parameters

MODEL	Max Flow rate (L/H)	Max Pressure (Mpa)	Stroke length (mm)	Stroke Rate (SPM)	Motor Powers (W)	Plunger diameter (mm)	Connections (mm)	Weight (KG)
DZ-D 18/50	18	50	40	127	4	10	10	150
DZ-D 18/40	18	40			3	10		
DZ-D 25/45	25	45			4	12		
DZ-D 25/35	25	35			3	12		
DZ-D 50/38	50	38			4	16		
DZ-D 50/30	50	30			3	16		
DZ-D 85/28	85	28			4	20		
DZ-D 85/20	85	20			3	20		
DZ-D 135/18	135	18			4	25		
DZ-D 135/12	135	12			3	25		
DZ-D 200/11	200	11			4	30	20	
DZ-D 200/8	200	8			3	30		
DZ-D 270/8	270	8			4	35		
DZ-D 270/6	270	6			3	35		
DZ-D 365/6.3	365	6.3			4	40		
DZ-D 365/4.5	365	4.5			3	40		25
DZ-D 570/4	570	4			4	50		
DZ-D 570/3	570	3			3	50		
DZ-D 700/3.5	700	3.5	4	55				
DZ-D 700/2.5	700	2.5	3	55				
DZ-D 830/3	830	3	4	60	32			
DZ-D 830/2.3	830	2.3	3	60				
DZ-D 1150/2.3	1150	2.3	4	70				
DZ-D 1150/1.5	1150	1.5	3	70				
DZ-D 1500/2	1500	2	4	80				
DZ-D 1500/1.3	1500	1.3	3	80		40		
DZ-D 1900/1.5	1900	1.5	4	90				
DZ-D 1900/0.8	1900	0.8	3	90				
DZ-D 2100/1.2	2100	1.2	4	95				
DZ-D 2100/0.8	2100	0.8	3	95				
DZ-D 2350/0.8	2350	0.8	4	100				
DZ-D 2350/0.6	2350	0.6	4	105				
DZ-D 2850/0.5	2850	0.5	4	110				
DZ-D 3500/0.8	3500	0.8	4	110				
DZ-D 3800/0.7	3800	0.7	4	115				
DZ-D 4150/0.6	4150	0.6	4	120				

idose® KS&KH Series Electronic Metering Pump



KS series unit : mm



KH series unit :mm

Technical Data

Model	Pressure(Bar)	Flow(L/H)	Speed(Strokes/Min)	Connection Size(Inch)
KS1600	16	0.4	60	3/8" * 1/4"
KS1601	16	0.6	90	3/8" * 1/4"
KS1602	16	0.8	120	3/8" * 1/4"
KS1200	12	0.6	90	3/8" * 1/4"
KS1201	12	0.8	120	3/8" * 1/4"
KS1202	12	1.2	180	3/8" * 1/4"
KS0803	8	3	90	3/8" * 1/4"
KS0804	8	4	120	3/8" * 1/4"
KS0806	8	6	180	3/8" * 1/4"
KS0306	3	5.5	90	3/8" * 1/4"
KS0308	3	7.3	120	3/8" * 1/4"
KS0311	3	11	180	3/8" * 1/4"
KS0211	1.5	11	90	3/8" * 1/4"
KS0215	1.5	14.5	120	3/8" * 1/4"
KS0222	1.5	22	180	3/8" * 1/4"
KH0710	7	10	60	3/8" * 1/4"
KH0715	7	15	90	3/8" * 1/4"
KH0720	7	20	120	3/8" * 1/4"
KH0416	4	16	60	3/8" * 1/4"
KH0424	4	24	90	3/8" * 1/4"
KH0432	4	32	120	3/8" * 1/4"
KH0240	1.5	40	60	DN15/19*26
KH0260	1.5	60	90	DN15/19*26
KH0280	1.5	80	120	DN15/19*26

Liquid Ends Material

Component	Standard	Optional
Pumphead	PP	/
Diaphragm	PTFE	/
Valve body	PP	/
Valve ball	CERAMICS	/
Valve seat	FPM	PTFE
Valve spring	HASTELLOY	/
Seals	FPM	EPDM



S EKO Dosing pump 3 >>



S EKO Dosing pump 4 >>





G SERIES, DEPENDABLE AND VERSATILE

The G Series of pumps has proven its exceptional value over years of solid performance in a wide range of applications and industries. Water treatment chemicals, process additives, acids, out-gassing fluids, slurries, and many more applications are all handled with ease by this robust metering pump design. Your local representative can assist you in applying the G Series metering pump to your process.

MILTON ROY

Milton Roy Asia Pacific Company (Singapore)
23 Tagore Lane #03-06
Tagore 23 Warehouse Complex
Singapore 787601
Tel : (65) 6242 9182 Fax : (65) 6243 4249
Email : mrapsing@miltonroy.com.sg

Thailand
1858/63-74 Nation Tower, 14th Floor
Room A, Bangna-Trad Road, K.M. 4.5
Bangna, Bangkok 10260, Thailand
Tel : 662-7514777 Ext.3200 Fax : 662-7514720

Korea
Suite 1417, Sungji Hytz Building III,
#642-6, Yeoksam-dong, Kangnam-gu,
Seoul, Korea.
Tel : 82-02-557-1110 Fax : 82-02-557-1115

ACCESSORIES

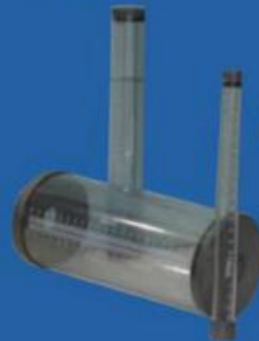
Pulsation Dampeners

Minimize pressure and flow surges in the pump discharge. When applied to pump inlet, more favorable NPSH conditions result.



Calibration Columns

Allow periodic verification of pump performance during routine checks or after system maintenance.



Safety Valves

Protect pump and piping from overpressure.



Back Pressure Valves

Provide smooth, artificial pressure in pump discharge line for atmospheric or low pressure systems to ensure pumping accuracy.

PUMP OUTLINE DRAWING

Model	GB40(80-450)		GB60(500-600)		GB80(700-1200)		GB80(1500)		GB80(1800)	
	Plastic	Metallic	Plastic	Metallic	Plastic	Metallic	Plastic	Metallic	Plastic	Metallic
A	237	280	286	338	362	414	374	446	420	458
B	5	4	19	46	59	85	64	100	87	102
C	80.3	80.3	71.4	76.2	96.4	100	96.4	100	96.4	100
D	333	333	351.2	348	373.1	373.1	373.1	373.1	373.1	373.1
N	1/2" F NPT		1" F NPT		1" M NPT		1 1/2" F NPT		1 1/2" M NPT	
	DN15"		DN15"		DN15"		DN15"		DN15"	

*Optional: available with PVC LE only

LE Material	GM0002-GM0050			GM0090-GM0500				
	Conn Code	A	B	C	Conn Code	A	B	C
PVC	6 x 12	108			DN15	127		
PVDF	6 x 12		104	250	NPT 1/2"		159	322
PP	NPT 1/2"	72						
316SS	NPT 1/2"	102			NPT 1/2"	131		

Weight

Pump with motor	Metal LE		Plastic LE		
	Net WT (kgs)	Gross WT (kgs)	Net WT (kgs)	Gross WT (kgs)	
GM	2-10	22	19	22	
	25-50	23	26	23	
	90-500	25	28	21	24
	Add Ecc			+5	
	without 0.25 motor			-6	
GB	80-450	42	47	39	43
	500-1200	45	50	41	45
	1500-1800	48	53	44	48
	without 0.55 motor			-8	
	without 0.75 motor			-10	

Shipping Dimensions

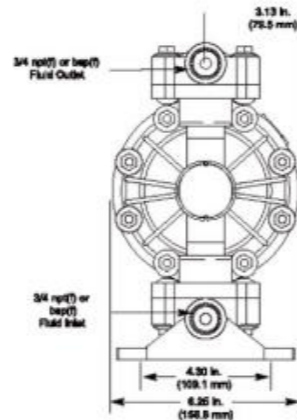
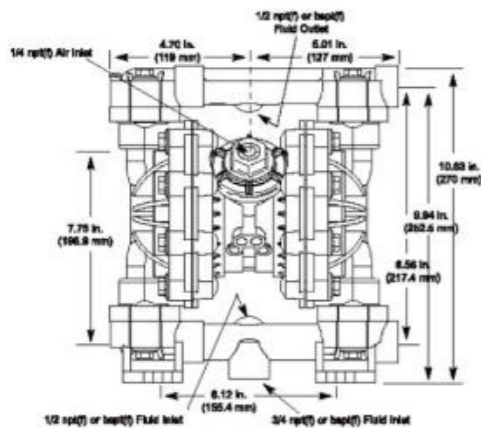
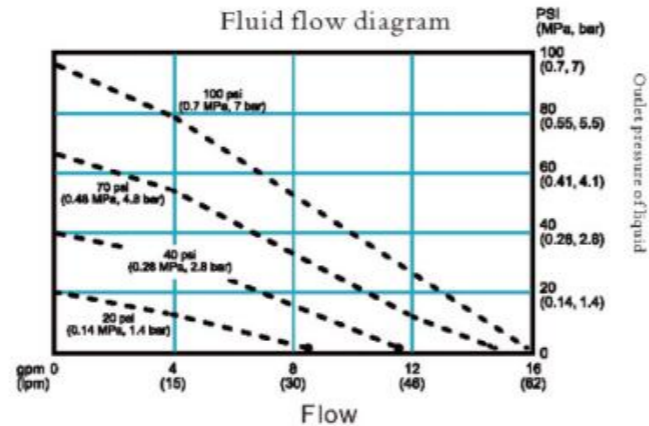
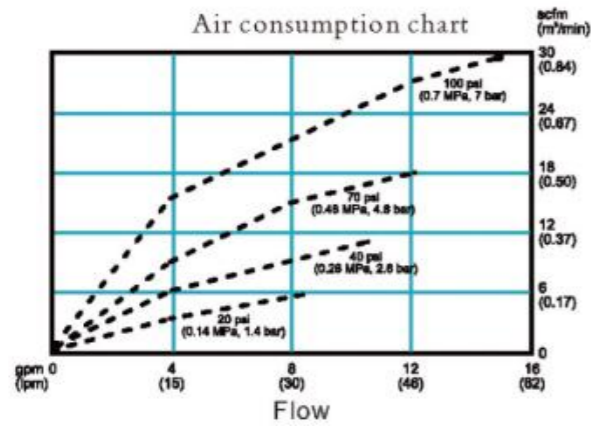
GM	460 x 360 x 555 (mm)
GB	610 x 410 x 700 (mm)

AOBL KES15/20 Plastic pump



Technical parameter

Maximum working fluid pressure.....	7bar
Air pressure range at working.....	1.8-7bar
Maximum air consumption.....	0.67m ³ /min
Maximum free flow.....	57L/min
Maximum transport of solid particles.....	2.5mm
Air inlet size.....	1/4in
Air outlet size.....	3/8in

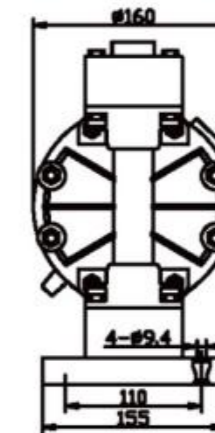
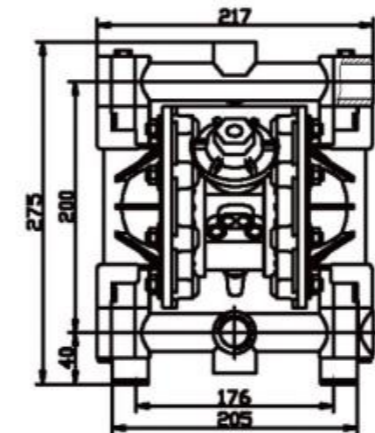
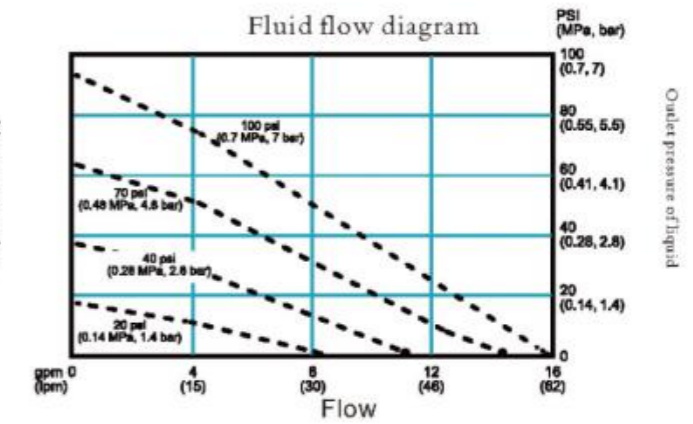
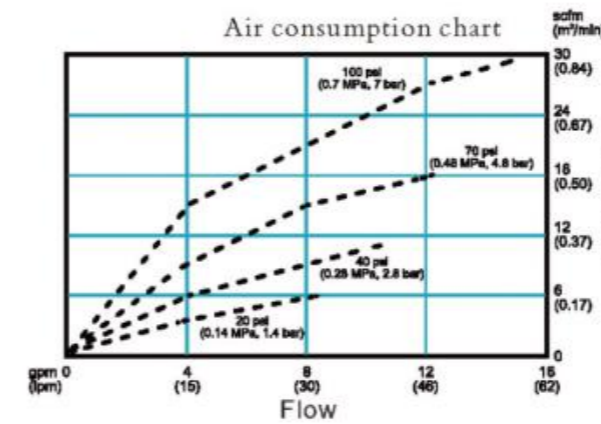


AOBL KES20 Metal pump



Technical parameter

Maximum working fluid pressure.....	7bar
Air pressure range at working.....	1.8-7bar
Maximum air consumption.....	0.67m ³ /min
Maximum free flow.....	57L/min
Maximum transport of solid particles.....	2.5mm
Air inlet size.....	1/4in
Air outlet size.....	3/8in

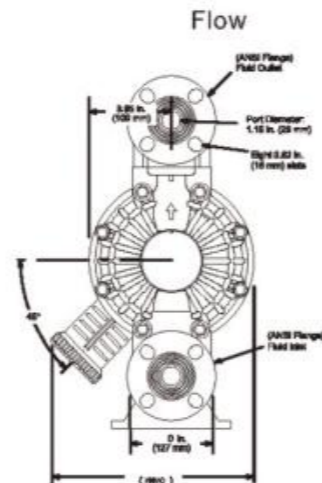
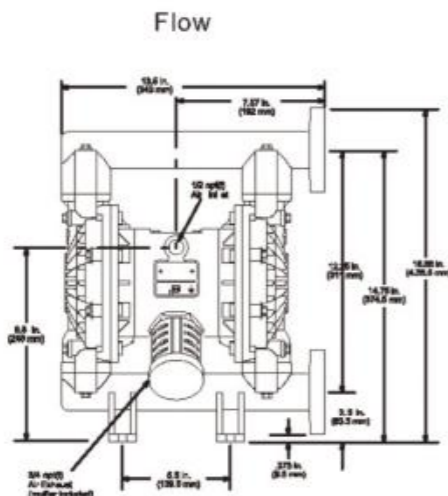
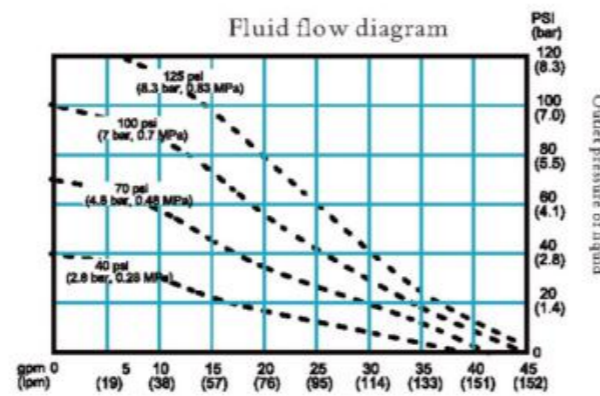
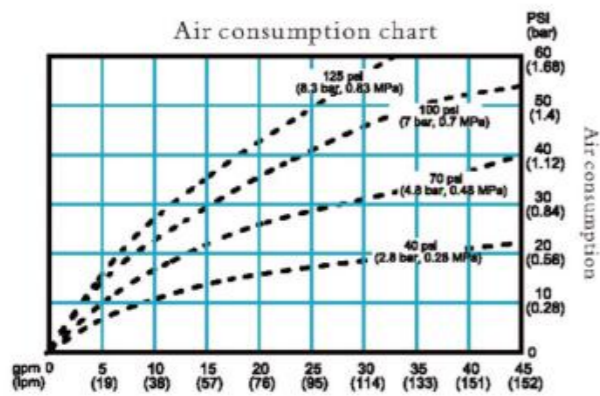


AOBL KES25 Plastic pump



Technical parameter

Maximum working fluid pressure.....	8.4bar
Air pressure range at working.....	1.4-8.4 bar
Maximum air consumption.....	1.5m ³ /min
Maximum free flow.....	150L/min
Maximum transport of solid particles.....	3.2mm
Air inlet size.....	1/2in
Air outlet size.....	3/4in

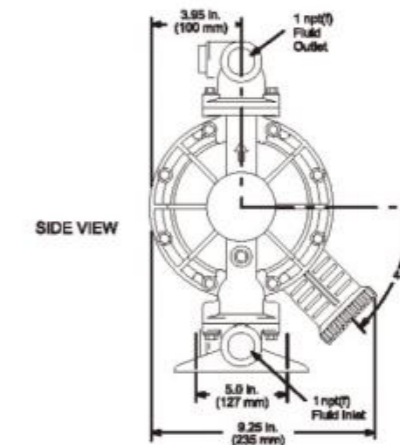
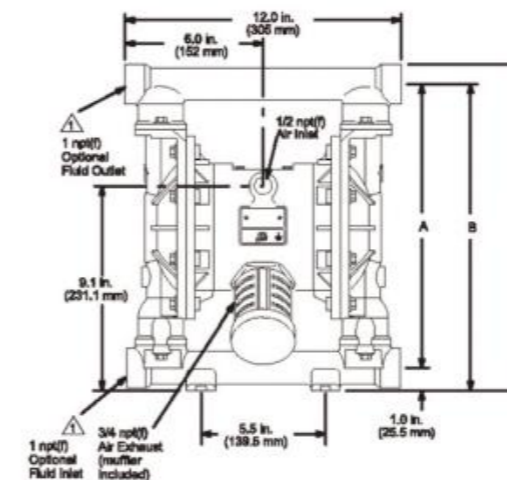
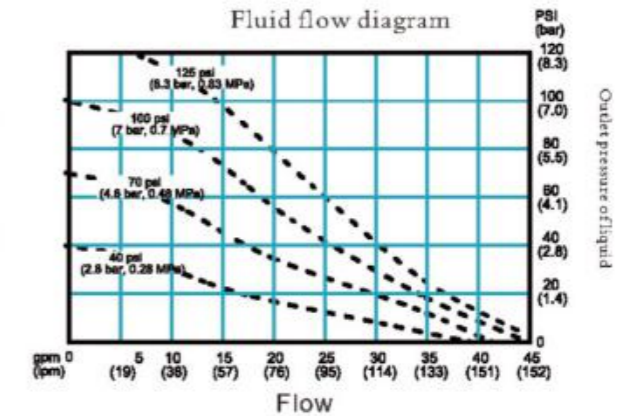
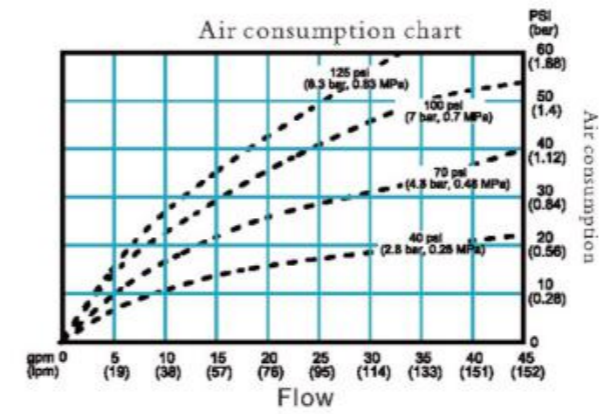


AOBL KES25 Metal pump



Technical parameter

Maximum working fluid pressure.....	8.4bar
Air pressure range at working.....	1.4-8.4 bar
Maximum air consumption.....	1.5m ³ /min
Maximum free flow.....	150L/min
Maximum transport of solid particles.....	3.2mm
Air inlet size.....	1/2in
Air outlet size.....	3/4in

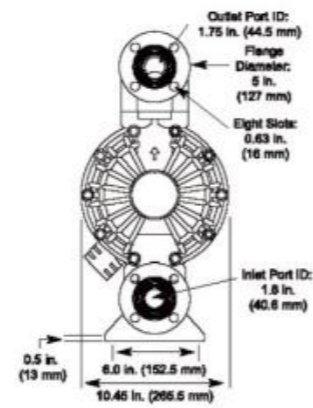
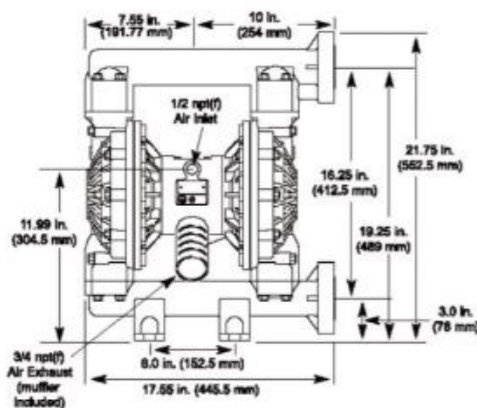
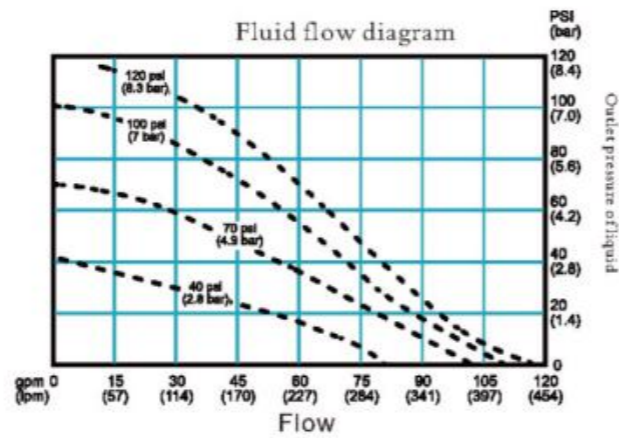
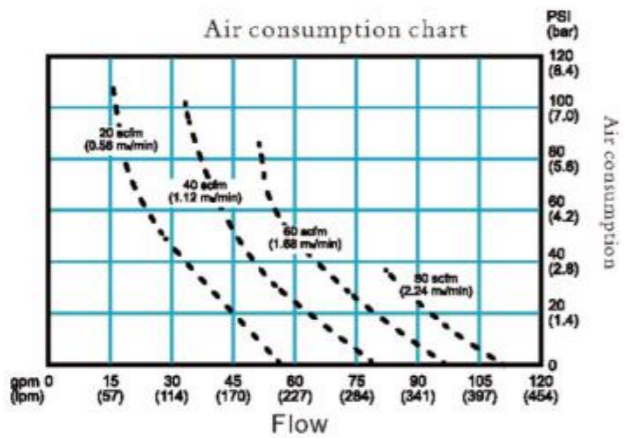


AOBL KES40 Plastic pump



Technical parameter

Maximum working fluid pressure.....	8.4bar
Air pressure range at working.....	1.4-8.4 bar
Maximum air consumption.....	3m ³ /min
Maximum free flow.....	378L/min
Maximum transport of solid particles.....	4.8mm
Air inlet size.....	1/2in
Air outlet size.....	3/4in

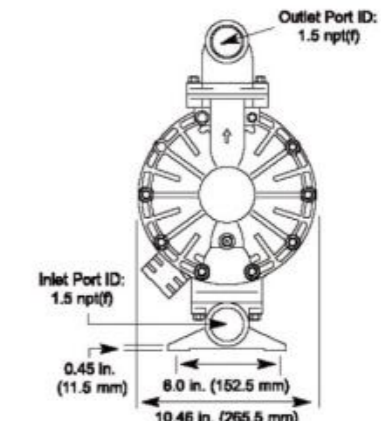
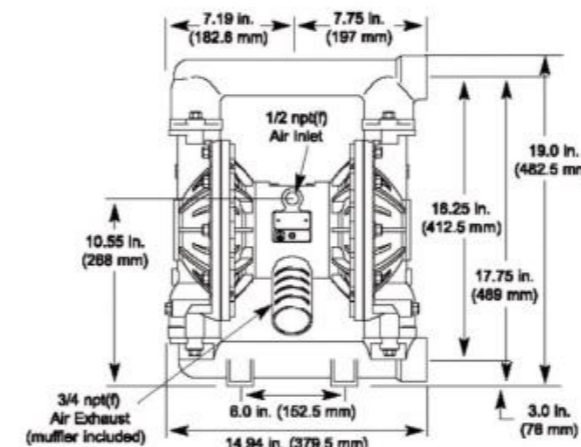
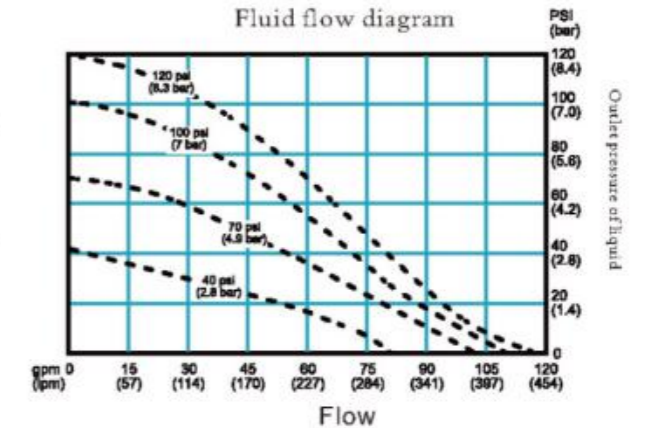
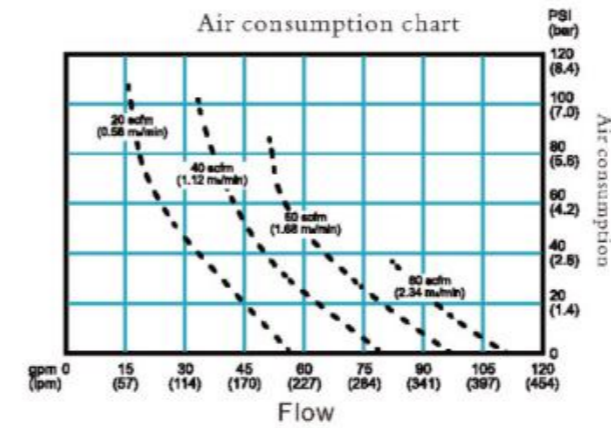


AOBL KES40 Metal pump



Technical parameter

Maximum working fluid pressure.....	8.4bar
Air pressure range at working.....	1.4-8.4 bar
Maximum air consumption.....	3m ³ /min
Maximum free flow.....	378L/min
Maximum transport of solid particles.....	4.8mm
Air inlet size.....	1/2in
Air outlet size.....	3/4in



ADVANCED METAL BOLTED PUMPS

FEATURES

- ADS: Pro-Flo[®], Pro-Flo X[™], Accu-Flo[™]
- All metal bolted construction
- Higher flow rates
- Superior containment
- Anti-Freezing technology
- Portable & Submersible
- BSPT (NPT) or DIN (ANSI) liquid connections available
- Lube-free operation

TECH DATA

- Sizes: 6mm (1/4") through 76mm (3")
- Materials: Aluminum, Ductile Iron, Stainless Steel, Alloy C
- Elastomer Temperatures: Up to 176.7°C (350°F)
- Elastomers: Buna-N, Neoprene, EPDM, Viton[®], Wil-Flex[™], Saniflex[™], Polyurethane, PTFE

PERFORMANCE DATA

- Max flow rates: 1021 lpm (270 gpm)
- Max suction lift: 9.5 m (31.2') Wet, 7.6 m (25.0'), Dry
- Max Disp. per stroke: 6.09 l (1.61 gal)
- Max discharge pressure: 220.6 bar (3200 psig)
- Max size solids: 76 mm (3")

ADVANCED METAL CURVES

RUBBER

PTFE

P200

25 mm (1") METAL

PX200

25 mm (1") METAL

P400

38 mm (1-1/2") ALUMINUM

P400

38 mm (1-1/2") STAINLESS STEEL

A RO Diaphragm Pump >>



C hemical pump >>



Liquid Mixer >>



C type



220V



Chemical Mixer



Chemical Mixer



Shaft Brace

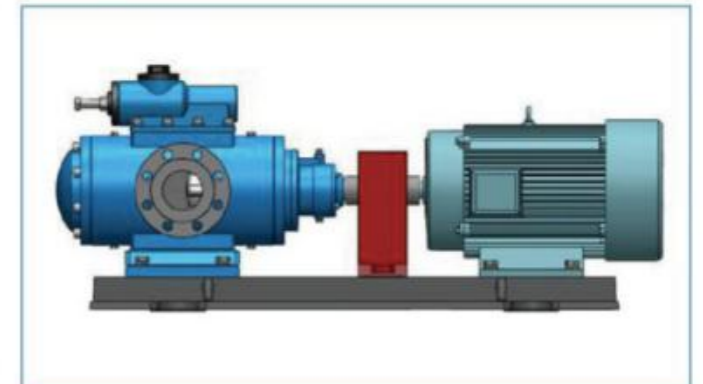


Movable Mixer



Blade

Screw Pump >>

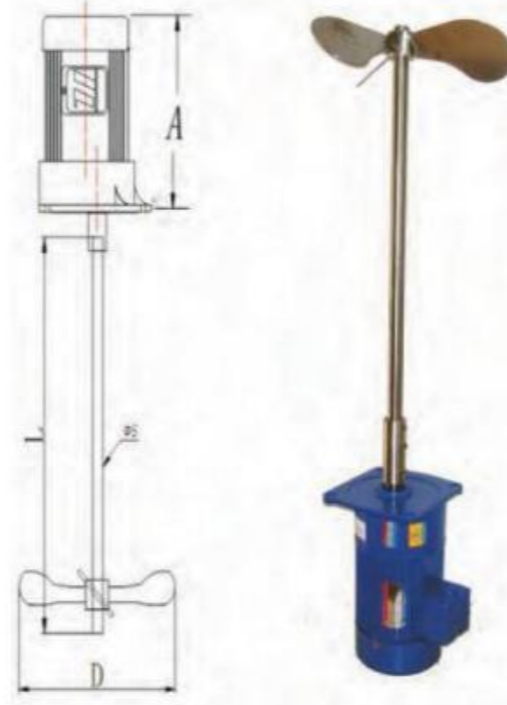
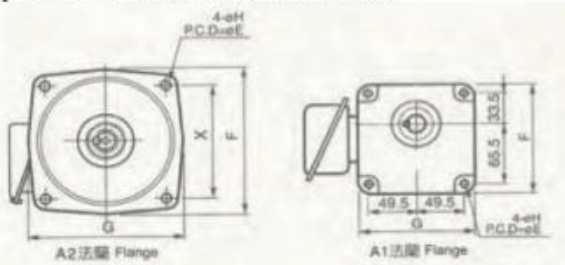


AMIXER Mixer

AMIXER Single phase mixer

Characteristic:
Reduction motor drive, screw - propelled vane or two blade plain vane.

- a) Mixing ability:100-2500L,motor power100~2200W
- b) Working condition: barometric pressure,70°C
- c) Structuralmaterial:304 stainless steel,316 stainless steel,316L stainless steel, lined with epoxy resin, spray PTFE
- d) Electrical specification:220V-50Hz-4p,IP55
- e) Selection function: special motor, lined with epoxy resin, spray PTFE, paddle vane
- f) Working restriction: Do not start up during the emptying process and shear sensitive material.



Mixer dimension table

Model	Horsepower	Revolving speed RM	A	E	X	F	G	H	Vane		Mixer shaft		Max stirred volume Moderate mucus	Weight	Remarks
									D	L	S	Thin liquid			
KD-10	0.1KW 1/8HPx4P	29-290	255	140	99	122	120	9	150	600	20	500	150	8.1	A1Flange
KD-20	0.2KW 1/4HPx4P	150-290	290	140	99	122	120	9	230	700	20	1100	500	9.4	A1Flange
KD-50	0.4KW 1/2HPx4P	150-290	380	185	131	176	165	11	260	800	20	2000	1100	14.3	A2Flange
KD-100	0.75KW 1HPx4P	58-290	420	220	156	205	195	Φ11 14L	330	1000	25	2500	2000	20.5	A2Flange

◆Change happens without further notice.

★ Main application

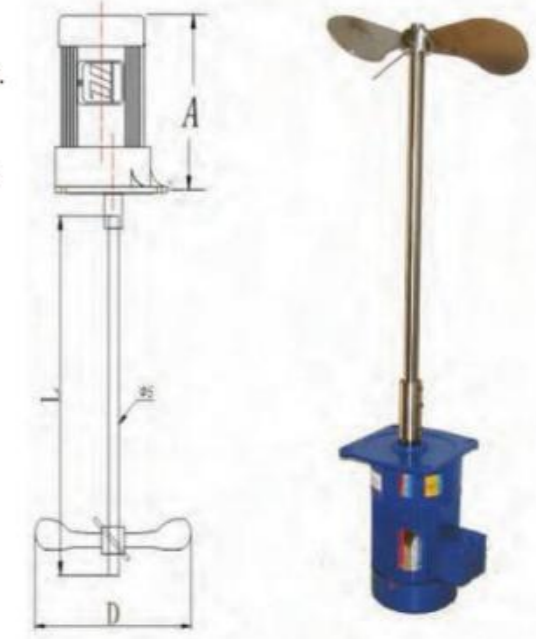
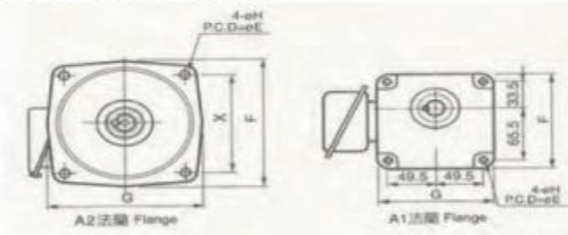
For process engineering, such as blending, dissolution, medicament preparation, neutralization, solution blending, solid floating, coagulation, etc. It is widely used in water treatment, fine chemicals and terminal products.

AMIXER Mixer

AMIXER Three phase mixer

Characteristic:
Reduction motor drive, screw - propelled vane or two blade plain vane.

- g) Mixing ability:100-5000L,motor power100~2200W
- h) Working condition: barometric pressure,70°C
- i) Structuralmaterial:304 stainless steel,316 stainless steel,316L stainless steel, lined with epoxy resin, spray PTFE
- j) Electrical specification:380V-50Hz-4p,IP55
- k) Selection function: special motor, lined with epoxy resin, spray PTFE, paddle vane
- l) Working restriction: Do not start up during the emptying process and shear sensitive material.



Mixer dimension table

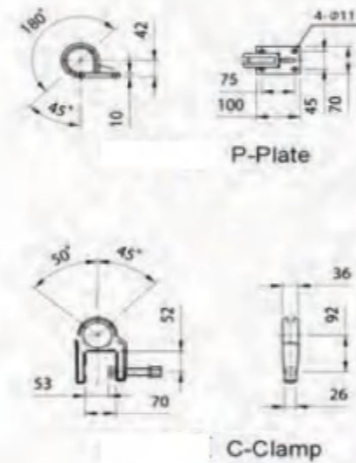
Model	Horsepower	Revolving speed RM	A	E	X	F	G	H	Vane		Mixer shaft		Max stirred volume Moderate mucus		Weight	Remarks
									D	L	S	Thin liquid				
KD-10	0.1KW 1/8HPx4P	29-290	255	140	99	122	120	9	150	600	20	500	150	8.68	A1Flange	
KD-20	0.2KW 1/4HPx4P	150-290	273	140	99	122	120	9	230	700	20	1100	500	10	A1Flange	
KD-50	0.4KW 1/2HPx4P	150-290	325	185	131	176	165	11	260	800	20	2000	1100	12.92	A2Flange	
KD-100	0.75KW 1HPx4P	58-290	380	220	156	205	195	Φ11 14L	330	1000	25	2500	2000	20.5	A2Flange	
KD-200	1.5KW 2HPx4P	48-290	442	255	180	241	225	15	360	1100	25	3000	2500	32.3	A2Flange	
KD-300	2.2KW 3HPx4P	150-290	467	255	180	241	225	15	360	1200	25	5000	3000	40.5	A2Flange	

◆Change happens without further notice.

★ Main application

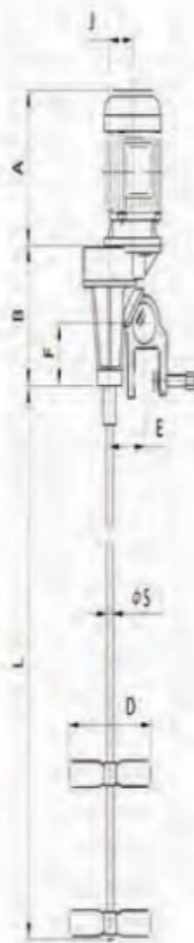
For process engineering, such as blending, dissolution, medicament preparation, neutralization, solution blending, solid floating, coagulation, etc. It is widely used in water treatment, fine chemicals and terminal products.

AMIXER [C]type Liquid Mixer



■ Size chart

TYPE	转速 rpm		Motor	尺寸/mm								材料
	60HZ	50HZ		A	B	J	E	F	D	S	L	
C-020	1720	1450	1/4HP-4P	225	234	0	98	60	100	19	650	A
	500	420	1/4HP-4P	225	223	65	98	60	200	19	800	B
	430	360	1/4HP-4P	225	223	65	98	60	230	19	800	B
	330	280	1/4HP-4P	225	223	65	98	60	230	19	800	B
	200	175	1/4HP-4P	225	237	20	98	60	260	19	800	C
	100	85	1/4HP-4P	225	237	20	98	60	260	19	800	C
C-050	1720	1450	1/2HP-4P	248	325	0	98	60	100	19	650	A
	1120	1000	1/4HP-6P	248	325	0	98	60	100	19	700	A
	500	420	1/2HP-4P	225	300	65	98	60	200	19	800	B
	430	360	1/2HP-4P	248	300	65	98	60	230	19	1000	B
	330	280	1/2HP-4P	248	300	65	98	60	230	19	1000	B
	200	175	1/2HP-4P	248	315	20	98	60	260	19	1000	C
C-100	1720	1450	1HP-4P	242	325	0	124	123	150	22	700	A
	1120	1000	1/2HP-6P	242	325	0	124	123	150	22	800	A
	510	430	1HP-4P	242	300	98	124	123	300	22	1200	B
	360	300	1HP-4P	242	300	98	124	123	300	22	1200	B
	290	250	1HP-4P	242	300	38	124	123	330	22	1200	B
	240	200	1HP-4P	242	315	38	124	123	360	22	1200	C
C-200	1720	1450	2HP-4P	322	325	0	124	123	150	25	800	A
	1120	1000	1HP-6P	322	325	0	124	123	200	25	900	A
	510	430	2HP-4P	322	300	98	124	123	300	25	1400	B
	360	300	2HP-4P	322	300	98	124	123	330	25	1400	B
	240	200	2HP-4P	322	315	38	124	123	360	25	1400	C
	140	120	2HP-4P	322	315	38	124	123	360	25	1400	C
115	100	2HP-4P	322	315	38	124	123	360	25	1400	C	



- Above blade of mixer is two-wing,two-tier flat blade or three-wing,one-tier screw blade. Surface pickling.
- Blade material that contacts liquid is SUS304.If you need other materials,contact us.

AMIXER [D] type Mixer

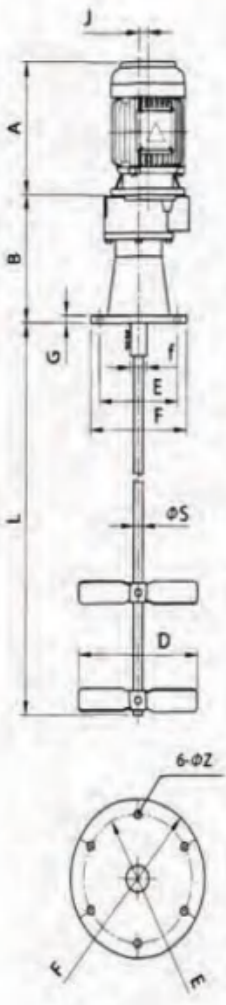
D type Liquid Mixer

Composed of helical gear for driving, this type makes low noise.Tightly closed frame makes it water-proof and dust-proof.With standardized model, it is portable and handy.



■ Size Chart

型号	转速 rpm		使用马达	尺寸/mm											材料
	60HZ	50HZ		A	B	J	E	F	r	G	Z	D	S	L	
D-020	1720	1450	1/4HP-4P	225	235	0	170	210	40	14	13	100	19	650	A
	500	420	1/4HP-4P	225	224	65	170	210	40	14	13	200	19	800	B
	430	360	1/4HP-4P	225	224	65	170	210	40	14	13	230	19	800	B
	330	280	1/4HP-4P	225	224	65	170	210	40	14	13	230	19	800	B
	200	175	1/4HP-4P	225	238	20	170	210	40	14	13	260	19	800	C
	100	85	1/4HP-4P	225	238	20	170	210	40	14	13	260	19	800	C
D-050	1720	1450	1/2HP-4P	248	235	0	170	210	40	14	13	120	19	650	A
	1120	1000	1/4HP-6P	248	235	0	170	210	40	14	13	120	19	700	A
	500	420	1/2HP-4P	248	224	65	170	210	40	14	13	200	19	1000	B
	430	360	1/2HP-4P	248	224	65	170	210	40	14	13	230	19	1000	B
	330	280	1/2HP-4P	248	224	65	170	210	40	14	13	230	19	1000	B
	200	175	1/2HP-4P	248	238	20	170	210	40	14	13	260	19	1000	C
D-100	1720	1450	1HP-4P	242	328	0	220	250	45	17	15	150	22	700	A
	1120	1000	1/2HP-6P	242	328	0	220	250	45	17	15	150	22	800	A
	510	430	1HP-4P	242	302	98	220	250	45	17	15	300	22	1200	B
	360	300	1HP-4P	242	302	98	220	250	45	17	15	300	22	1200	B
	290	250	1HP-4P	242	302	98	220	250	45	17	15	330	22	1200	B
	240	200	1HP-4P	242	317	38	220	250	45	17	15	360	22	1200	C
D-200	1720	1450	2HP-4P	322	328	0	220	250	45	17	15	150	25	800	A
	1120	1000	1HP-6P	322	328	0	220	250	45	17	15	200	25	900	A
	510	430	2HP-4P	322	302	98	220	250	45	17	15	300	25	1400	B
	360	300	2HP-4P	322	302	98	220	250	45	17	15	330	25	1400	B
	240	200	2HP-4P	322	317	38	220	250	45	17	15	360	25	1400	C
	140	120	2HP-4P	322	317	38	220	250	45	17	15	360	25	1400	C
115	100	2HP-4P	322	317	38	220	250	45	17	15	360	25	1400	C	



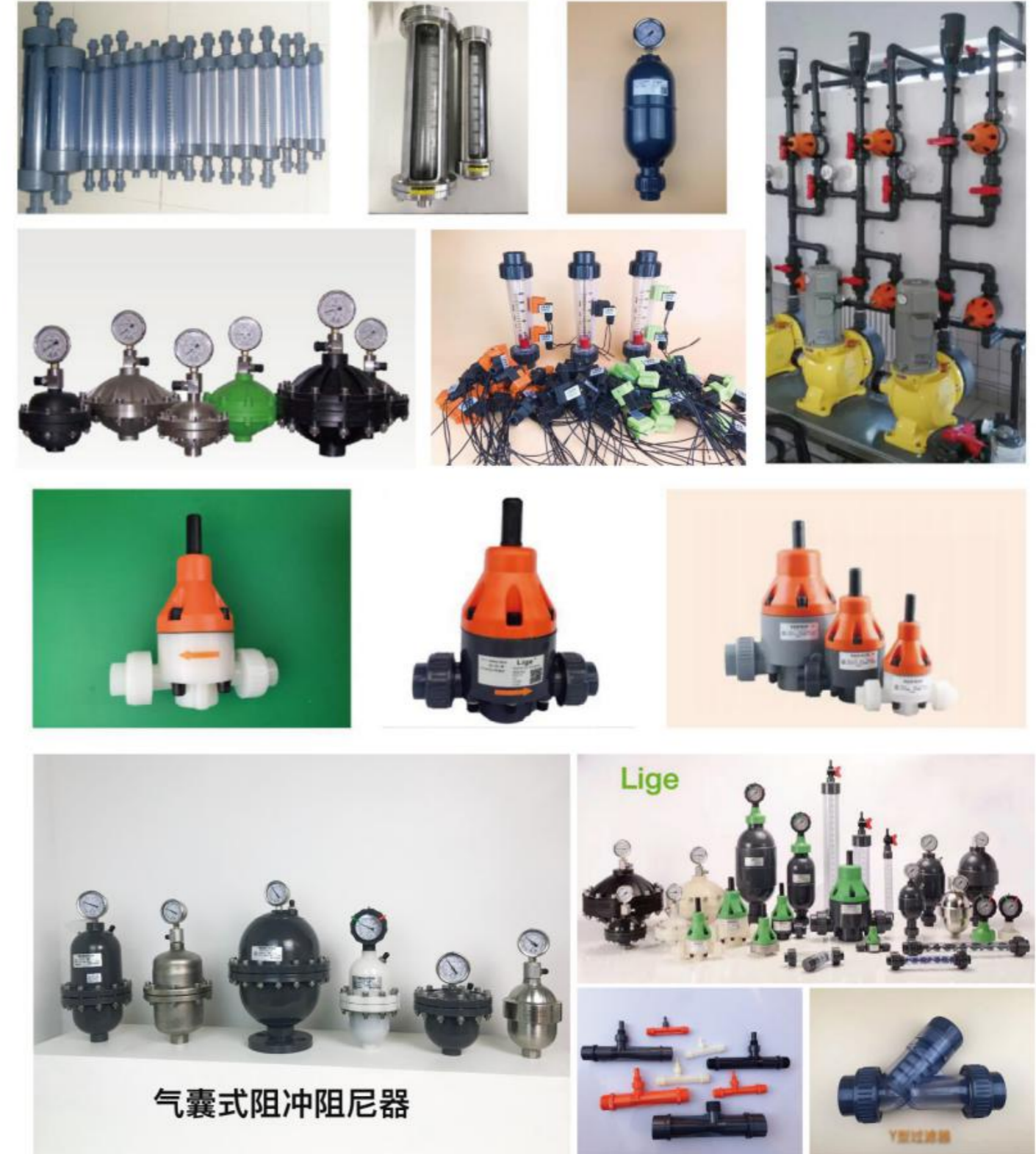
- Above blade of mixer is two-wing,two-tier flat blade or three-wing,one-tier screw blade. Surface pickling.
- Blade material that contacts liquid is SUS304.If you need other materials,contact us.



Dosing system >>



Spare parts >>



气囊式阻冲阻尼器

Lige

Y型过滤器

型号说明

Demonstration of the type

Overview

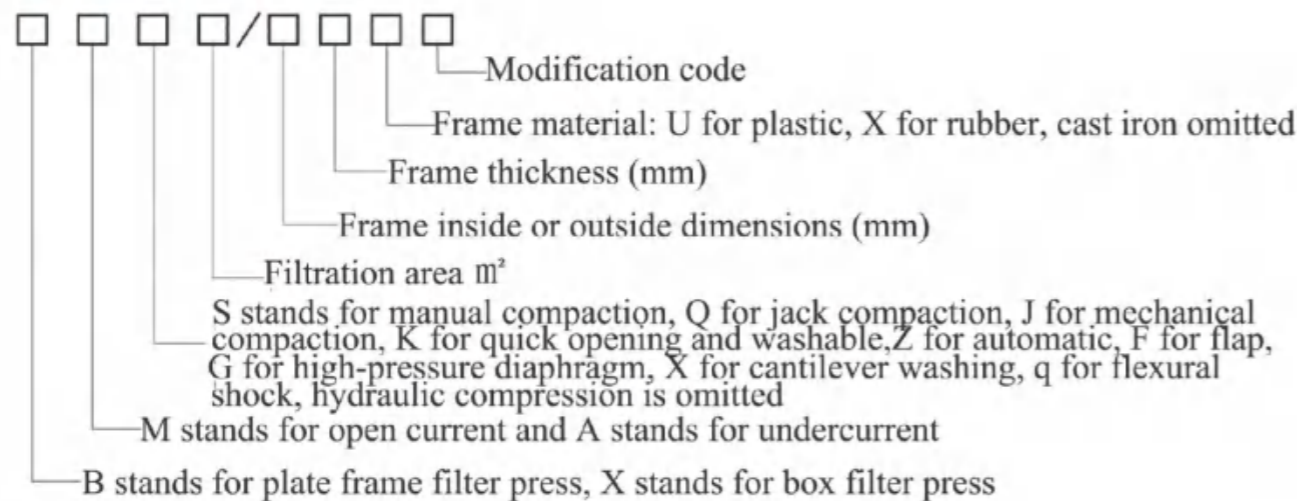
Filter press is divided into plate frame filter press and box filter press, it is an intermittent pressure filter equipment for solid-liquid separation of various suspensions. It relies on a compaction device to compact the filter plate, and then uses material pump to press the suspension material into the filter chamber. The filter cloth is used to achieve the purpose of separating solid particles from liquid materials. The structure of the whole machine is simple and the separation effect is good. It is easy to use and has a wide range of applications. It is widely used in coal washing, inorganic salts, mining, alcohol, petroleum, chemical industry, fuel, metallurgy, medicine, food, textile, printing and dyeing, papermaking and sewage treatment field.

Product description

Our company produces various types of box and plate frame mechanical filter presses, hydraulic filter presses, diaphragm filter presses, automatic filter presses, quick-opening filter presses, and filter press accessories, with reliable quality and complete specifications.

1. Specifications : Types of 200, 380, 500, 700, 870, 1000, 1250, 1500, 2000, and various special-shaped filter plates and filter presses.
2. The filtering area is up to 2000m².
3. Filter plate material: stainless steel, cast iron, rubber, reinforced polypropylene, glass fiber with high temperature resistance, pp-30 elastomer membrane plate.
4. Liquid flow forms are open flow, dark flow, washable, non-washable, medium feed, corner feed, upper and middle feed and other forms.
5. Filter plate compaction methods are: manual screw compaction, electro-mechanical compaction fluid, and hydraulic cylinder compaction. For special requirements of the filter press can be resolved separately.
6. The whole machine does not include material infusion pumps and filter cloths. If necessary supplies can be specified in the contract.
7. According to the special requirements of customers, our company can produce non-standard models and products suitable for your needs.
8. If technical data changes due to model improvements, the actual size at the time of ordering shall prevail.

Model Description



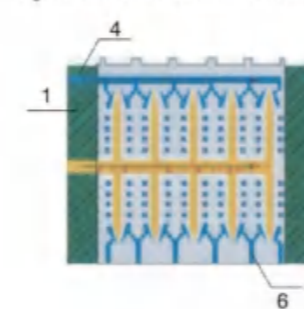
Ordering instruction

1. First of all, please refer to our company's product samples, and select the plate frame material, model, compaction form and filtration form according to the technical parameter table of each model.
2. According to the needs of your product, choose clear current, under current or washable and non-washable. It must be specified in the contract.
3. The infusion pump and filter cloth are not in the scope of supply.
4. According to the special requirements of customers, our company can produce non-standard models and products suitable for you.

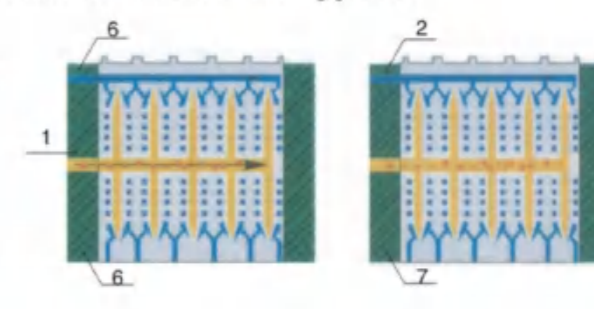
Structure and working principle

1. The filter press is composed of a frame, a filter plate, a compaction system (manual, mechanical, hydraulic) and an electrical control cabinet.
2. The frame part plays the role of supporting the compaction device and the filter plate, and is composed of the base, the compaction plate, the thrust plate and the main beam.
3. The filter plate is installed on the main beam between the compression plate and the thrust plate, with the filter cloth sandwiched therebetween.
4. During work, the compaction device (cylinder piston rod or screw) pushes the compaction plate to compact the filter plate and filter cloth located between the compaction plate and the thrust plate. A filter chamber is formed between compacted filter plate and filter plate. The material pressed by the feed pump enters each filter chamber through the feed hole of the thrust plate. The solid particles are trapped in the filter chamber and form a filter cake. The liquid passes through the filter cake and the filter cloth. Liquid holes are discharged from the body. If you need to wash the filter cake, you can wash the filter cake with washing water through the washing liquid port on the tail plate. If it is necessary to blow dry the filter cake, blow compressed air through the washing liquid port to blow dry the filter cake.
5. The structure of the plate frame filter press frame is the same as that of the box filter press, except that the filter part is composed of a plate, a frame and filter cloth, and the space of the plate frame is the filter room.
6. The liquid flow form of the filter press is divided into open flow and dark flow. Open flow means that the filtrate is directly discharged from the liquid outlet of each filter plate; dark flow means that the filtrate from the filter plate is combined and discharged from the machine through the liquid outlet channel.

Open flow filtration washing process

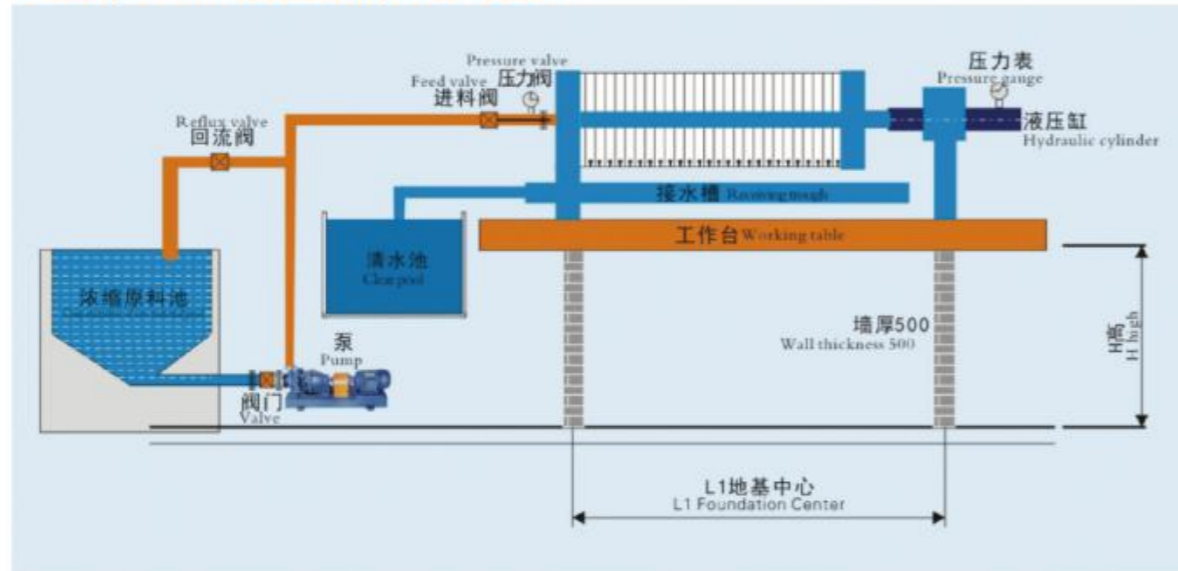


Underflow filtration washing process

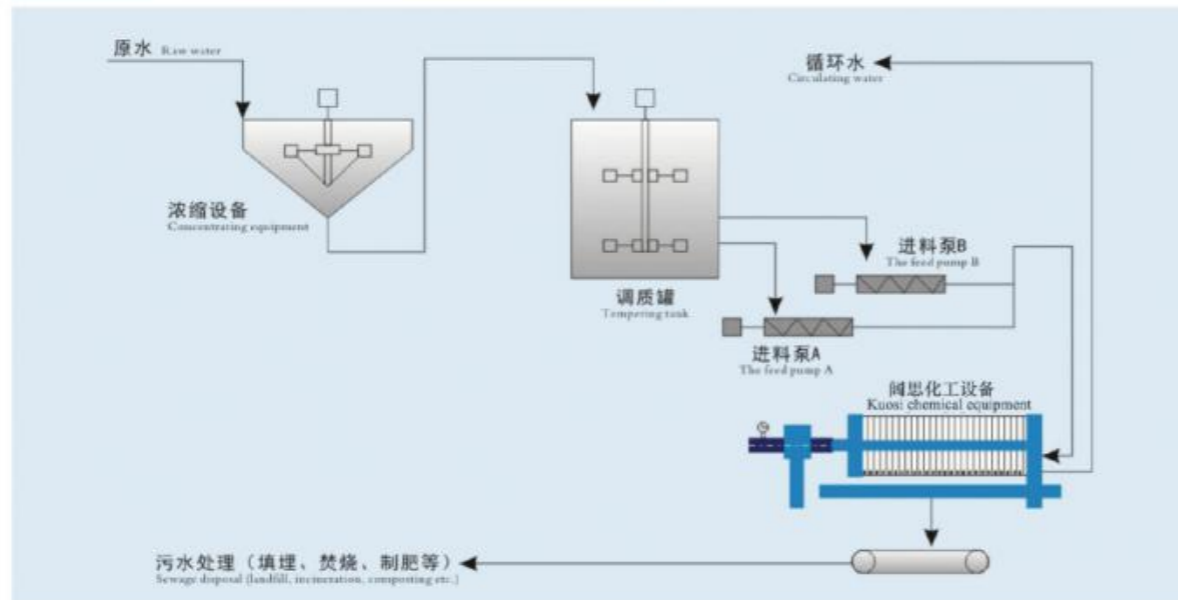


1. Filter slurry 2. Wash water 3. Filter plate 4. Compressed air 5. Filter cloth 6. Filtrate 7. Wash solution

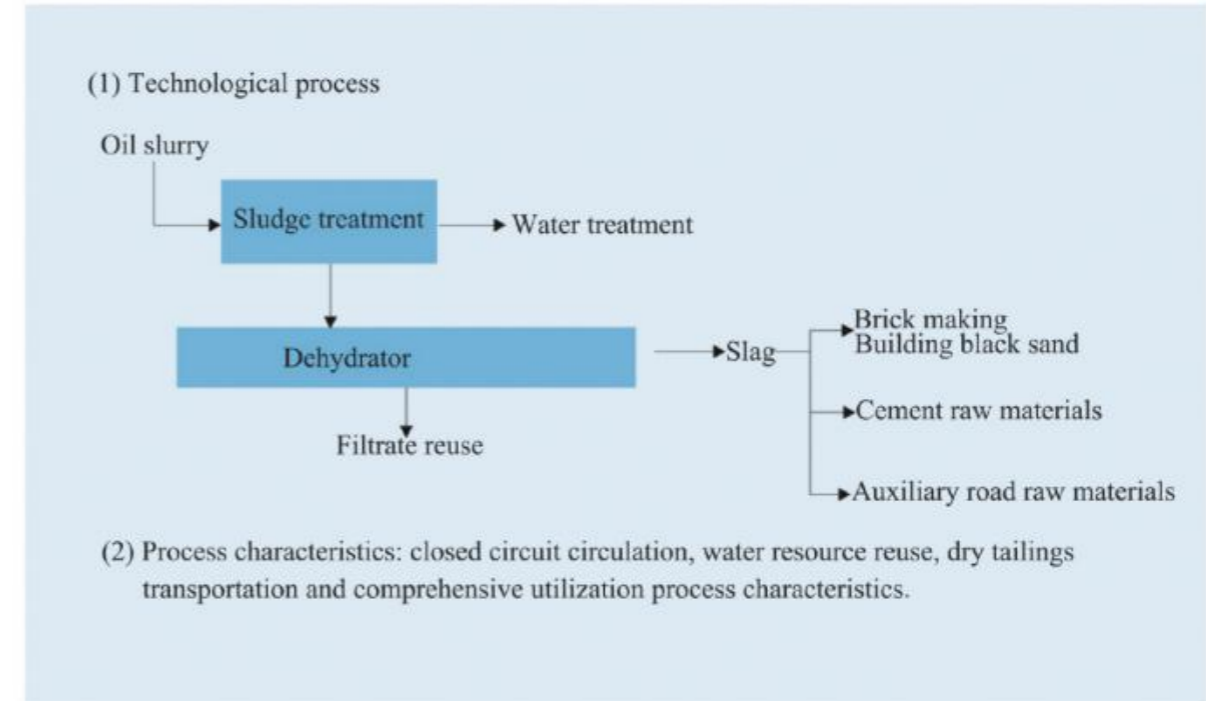
Filter press installation process chart



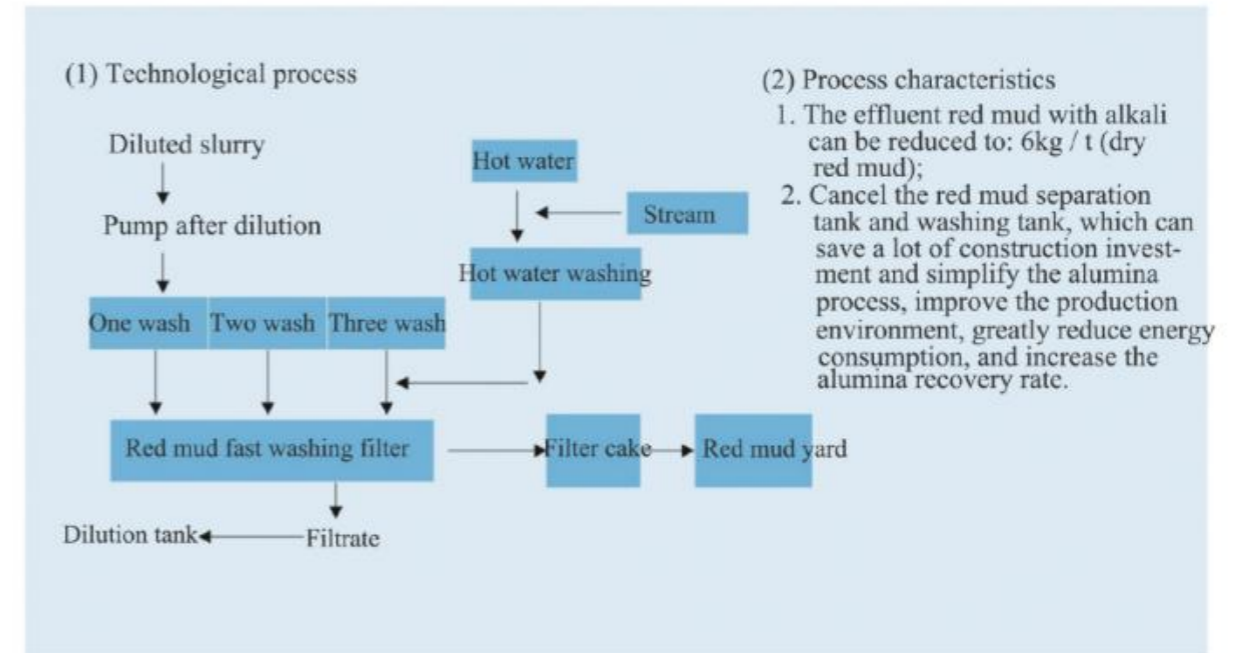
部分污水处理工艺图 Part of sewage treatment process chart



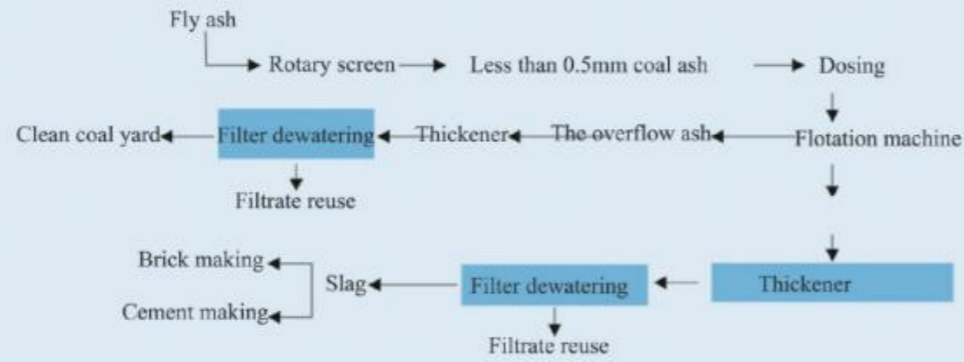
Dry sludge drainage and comprehensive treatment



New technology for red mud separation and washing



New technology for comprehensive utilization of coal ash power plant over-standard fly ash deashing



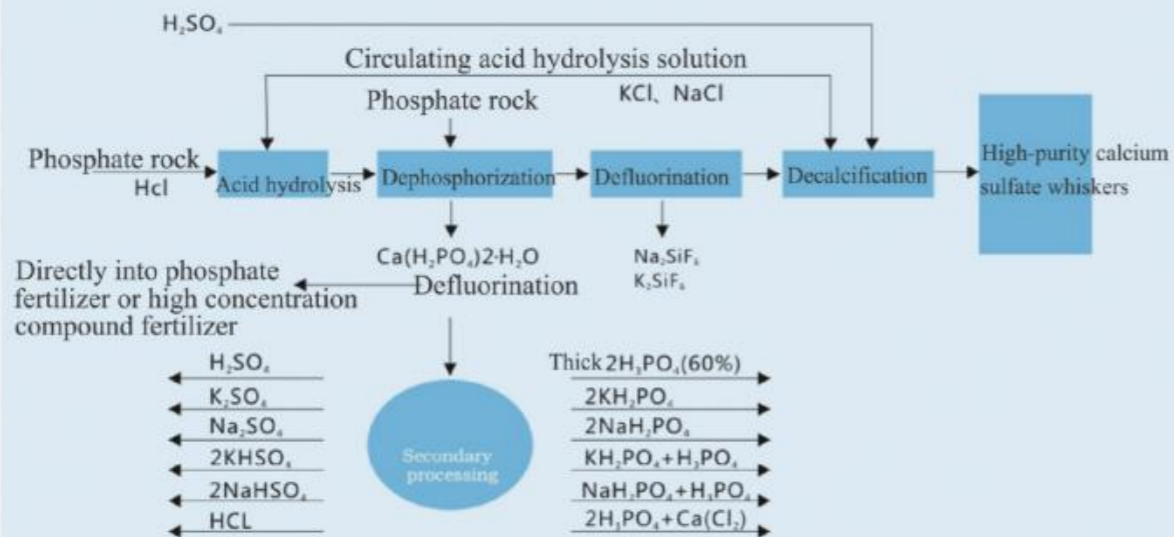
Process characteristics

1. Wet production, no dust pollution, closed water circulation, zero discharge;
2. Excellent product quality, good economic and social benefits.



Non-tailing phosphorus chemical production process

(1) Technological process



(2) Process characteristics

1. Clean production, low investment, low energy consumption, no three wastes;
2. Low cost and obvious economic benefits, which are several times more than traditional technical benefits

